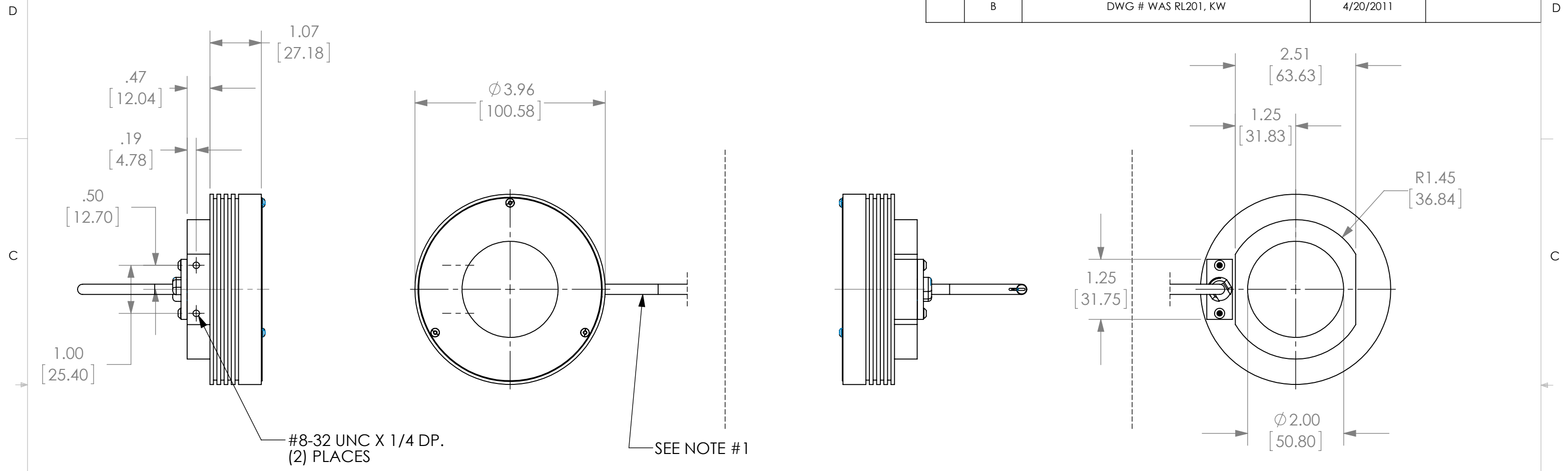


REVISIONS				
ZONE	REV.	DESCRIPTION	DATE	APPROVED
	A	REVISED AND REDRAWN, KW	12/15/2010	
	B	DWG # WAS RL201, KW	4/20/2011	



**NOTES: UNLESS OTHERWISE SPECIFIED**

- FOR MODELS RL201-X-12/24: 10FT. ATTACHED CABLE, 1" FLYING LEADWIRES AT END.  
FOR MODELS RL201-X: CABLE TO BE ORDERED SEPARATELY. PART NUMBER: PC-9-10.



945 East 11<sup>th</sup> Avenue Tampa, FL 33605  
 Phone: (813) 984-0125  
 Contact: Sales@pyramidimaging.com  
<https://pyramidimaging.com>

**PROPRIETARY AND CONFIDENTIAL**  
 THE INFORMATION CONTAINED IN THIS DRAWING IS THE SOLE PROPERTY OF <INSERT COMPANY NAME HERE>. ANY REPRODUCTION IN PART OR AS A WHOLE WITHOUT THE WRITTEN PERMISSION OF <INSERT COMPANY NAME HERE> IS PROHIBITED.

		UNLESS OTHERWISE SPECIFIED:		NAME	DATE	METAPHASE TECHNOLOGIES, INC.	
		DIMENSIONS ARE IN INCHES		DRAWN	KW	12-15-10	
		TOLERANCES:		CHECKED		TITLE:	
		FRACTIONAL ±		ENG APPR.		RING LIGHT	
		ANGULAR: MACH ± BEND ±		MFG APPR.		205	
		TWO PLACE DECIMAL ±		Q.A.		SIZE DWG. NO. REV	
		THREE PLACE DECIMAL ±		COMMENTS:		B RL205 A B	
		INTERPRET GEOMETRIC TOLERANCING PER:				SCALE: 1:5 WEIGHT: SHEET 1 OF 1	
		MATERIAL					
NEXT ASSY		USED ON					
APPLICATION		DO NOT SCALE DRAWING					