

8 7 6 5 4 3 2 1

REVISIONS				
ZONE	REV.	DESCRIPTION	DATE	APPROVED
	B	REDRAWN IN SOLIDWORKS, KW	11/18/2011	
	C	ADDED MOUNTING HOLE LOCATIONS, KW	4/27/2012	

D

D

C

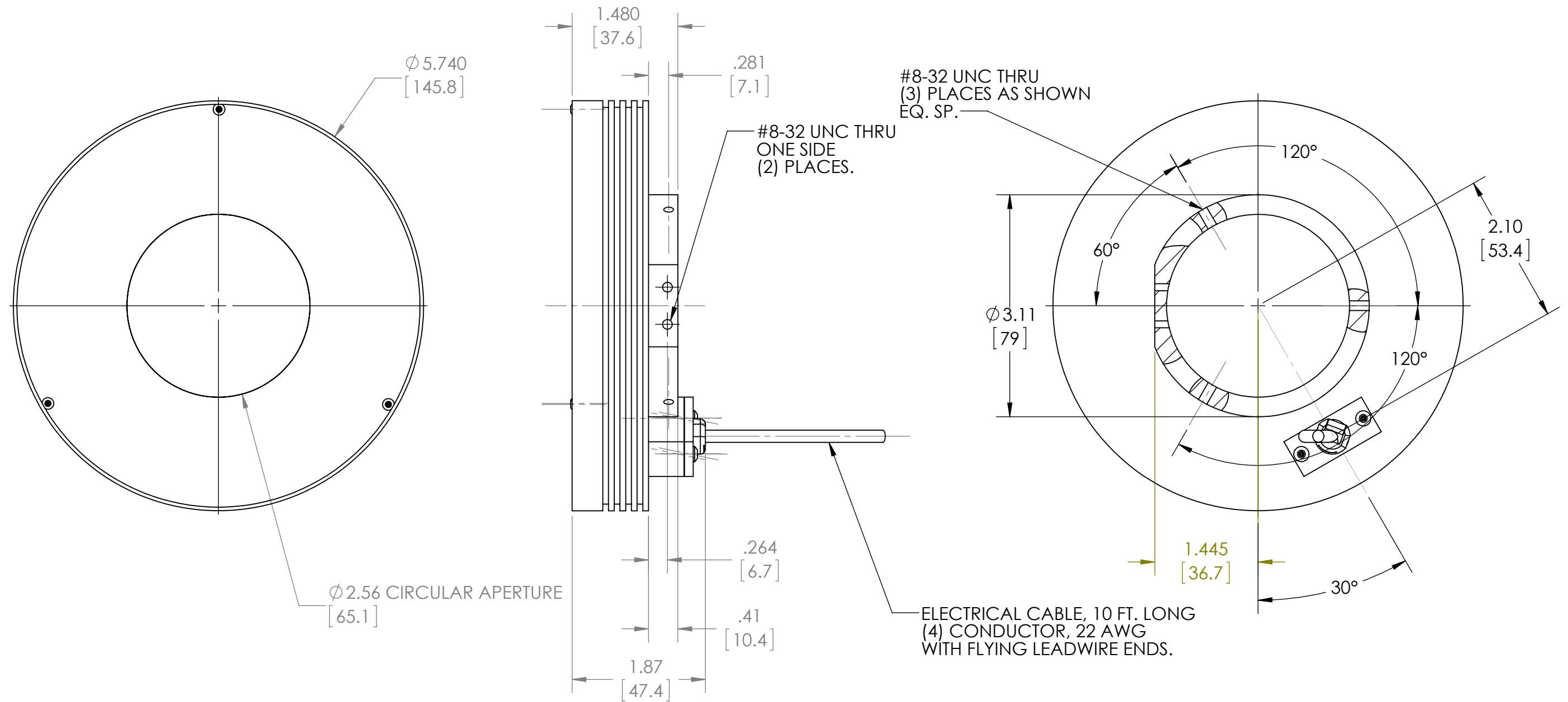
C

B

B

A

A



945 East 11<sup>th</sup> Avenue Tampa, FL 33605  
 Phone: (813) 984-0125  
 Contact: Sales@pyramidimaging.com  
<https://pyramidimaging.com>

**PROPRIETARY AND CONFIDENTIAL**  
 THE INFORMATION CONTAINED IN THIS DRAWING IS THE SOLE PROPERTY OF <INSERT COMPANY NAME HERE>. ANY REPRODUCTION IN PART OR AS A WHOLE WITHOUT THE WRITTEN PERMISSION OF <INSERT COMPANY NAME HERE> IS PROHIBITED.

		UNLESS OTHERWISE SPECIFIED:	NAME	DATE	METAPHASE TECHNOLOGIES, INC.	
		DIMENSIONS ARE IN INCHES	DRAWN	KW	11/18/2011	TITLE: <b>RING LIGHT, 5 INCH</b>
		TOLERANCES:	CHECKED			
		FRACTIONAL ±	ENG APPR.			
		ANGULAR: MACH ± BEND ±	MFG APPR.			
		TWO PLACE DECIMAL ±	Q.A.			SIZE DWG. NO. REV <b>B RL301 C</b>
		THREE PLACE DECIMAL ±	COMMENTS:			
		INTERPRET GEOMETRIC TOLERANCING PER:				SCALE: 1:2 WEIGHT: SHEET 1 OF 1
		MATERIAL				
		FINISH				
NEXT ASSY	USED ON					
APPLICATION		DO NOT SCALE DRAWING				

8 7 6 5 4 3 2 1