

# MetaLight™ Half Circle Off-Axis Ring Light

Model#: OARL101-SC2

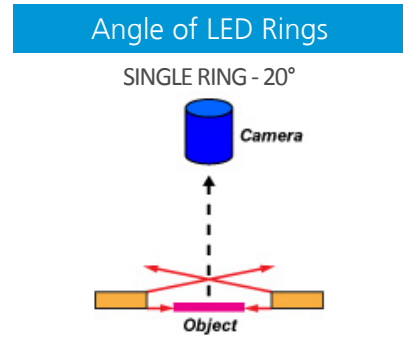


- Horizontal Plane of Light
- Useful for Highlighting Surface Defects
- Illuminates Specular Surfaces
- Configurable for Wavelength
- Half-Circle allows for greater control
- Useful for stationary item inspection

| Part #             | Color          | Power Supply                                 | Specifications:                  |
|--------------------|----------------|--|----------------------------------|
| OARL101-SC2-W-24   | White 5500K    | 24 volt power supply available upon request. | Current Consumption 0.15A        |
| OARL101-SC2-R-24   | Red 630nm      |  | Housing Aluminum                 |
| OARL101-SC2-B-24   | Blue 455nm     |  | Finish Black Anodized            |
| OARL101-SC2-G-24   | Green 530nm    |  | Intensity Uniformity +/-5%       |
| OARL101-SC2-IRN-24 | Infrared 850nm |  | Operating Temperature 120° F Max |
| OARL101-SC2-IRL-24 | Infrared 880nm |  | Compliance CE/RoHS               |
| OARL101-SC2-UVL-24 | UV 395nm       |  | Lifetime Hours 75,000 Hours      |
| OARL101-SC2-UVS-24 | UV 365nm       |  |                                  |

10 ft. flying leads come standard on all products.  
Light features built-in constant current driver.  
No expensive controller required.

| Active Area      | Dimensions          |
|------------------|---------------------|
| Ø1in Aperture    | L: 3in / 76.2mm     |
| Ø25.4mm Aperture | W: 3in / 76.2mm     |
|                  | H: 0.56in / 15.39mm |



## ORDERING INFORMATION:

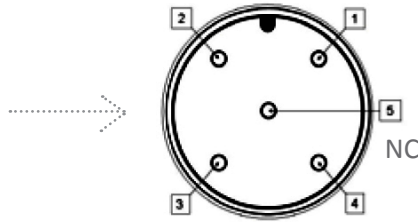
• O A R L 1 0 1 - S C 2 -  - 2 4 -

|            |                |               |  |
|------------|----------------|---------------|--|
| <b>W</b>   | White 5500k    | <b>*BLANK</b> | 10 ft. Flying Leads                            |
| <b>R</b>   | Red 630nm      | <b>T</b>      | M12 Quick Disconnect                           |
| <b>G</b>   | Green 530nm    | <b>ILD</b>    | In Line Dimmer                                 |
| <b>B</b>   | Blue 455 nm    | <b>ILS</b>    | In Line Strobe (customer provide trigger info) |
| <b>IRL</b> | Infrared 880nm |               |  |
| <b>UVL</b> | (long) 395nm   |               |  |
| <b>UVS</b> | (short) 365nm  |               |  |

## MetaLight™ Half Circle Off-Axis Ring Light Model#: OARL101-SC2

### M12 Connector

| PIN # | Function                  |
|-------|---------------------------|
| 1     | +24VDC                    |
| 2     | 0-10VDC Intensity Control |
| 3     | Ground                    |
| 4     | Signal Ground             |

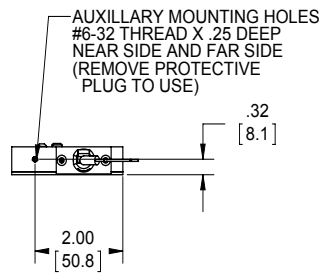
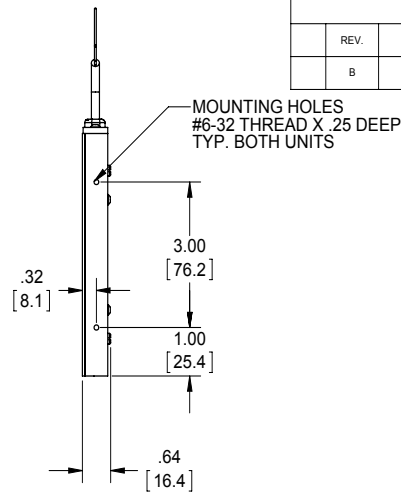
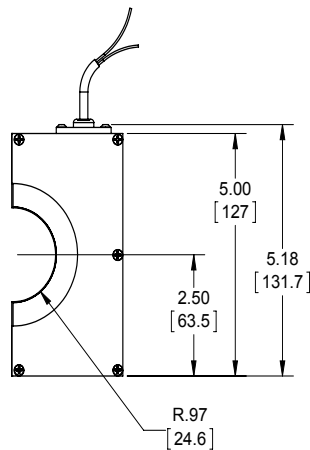


### Wiring Diagram

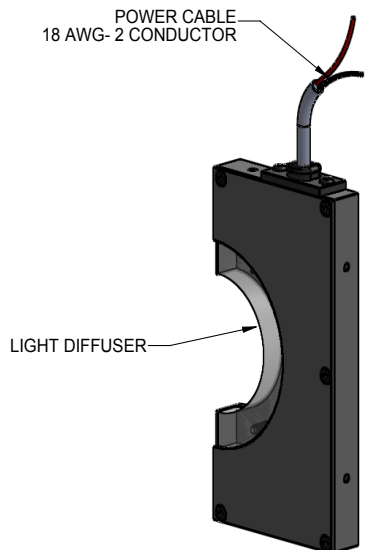
| Flying Leads | Function |
|--------------|----------|
| RED          | +24VDC   |
| BLACK        | Ground   |
| WHITE        | +24VDC   |
| GREEN        | Ground   |

24 AWG 4 WIRES CABLE X 1  
When not using intensity control, connect 0-10V control line to +24 (Max Intensity Control = 25V) and intensity control ground to ground

### Drawing/Diagram



| REVISIONS |                      |          |          |
|-----------|----------------------|----------|----------|
| REV.      | DESCRIPTION          | DATE     | APPROVED |
| B         | Modeled only 1 light | 09/26/12 | KLH      |



BOTTOM VIEW

|   |   |  |  |
|---|---|--|--|
| Metaphase Technologies, Inc. 3412 Progress Drive, Unit C, Bensalem, PA. 19020 215-639-8699 Fax 215-639-0977 |   |  |  |
| QUANTITY: Per order   | TOLERANCE/FINISH UNLESS OTHERWISE SPECIFIED | THIS DOCUMENT IS THE PROPERTY OF METAPHASE TECHNOLOGIES, INC. WHOM MAY LOAN IT. SUBJECT TO RETURN UPON DEMAND. IT INCLUDES CONFIDENTIAL & PROPRIETARY INFORMATION WHICH MAY NOT BE DISCLOSED TO ANY THIRD PARTY, AND/OR USED FOR ANY PURPOSE CONTRARY TO ITS INTENDED USE. WITHOUT THE EXPRESSED PRIOR WRITTEN CONSENT OF METAPHASE TECHNOLOGIES, INC. |  |
| MATERIAL: See BOM   | INCHES(MM) 125√RMS [RA3.2um]                | TITLE Top Assy.; Ring Light  |  |
| FINISH: As supplied   | X ±.030 ±.010 ±.005 ANGLES:1*               | USED ON Next Assy.   |  |
|   |   | DRAWING NUMBER B...OARI.101-SC2-1 B...   |  |



945 East 11<sup>th</sup> Avenue Tampa, FL 33605  
Phone: (813) 984-0125  
Contact: Sales@pyramidimaging.com  
<https://pyramidimaging.com>