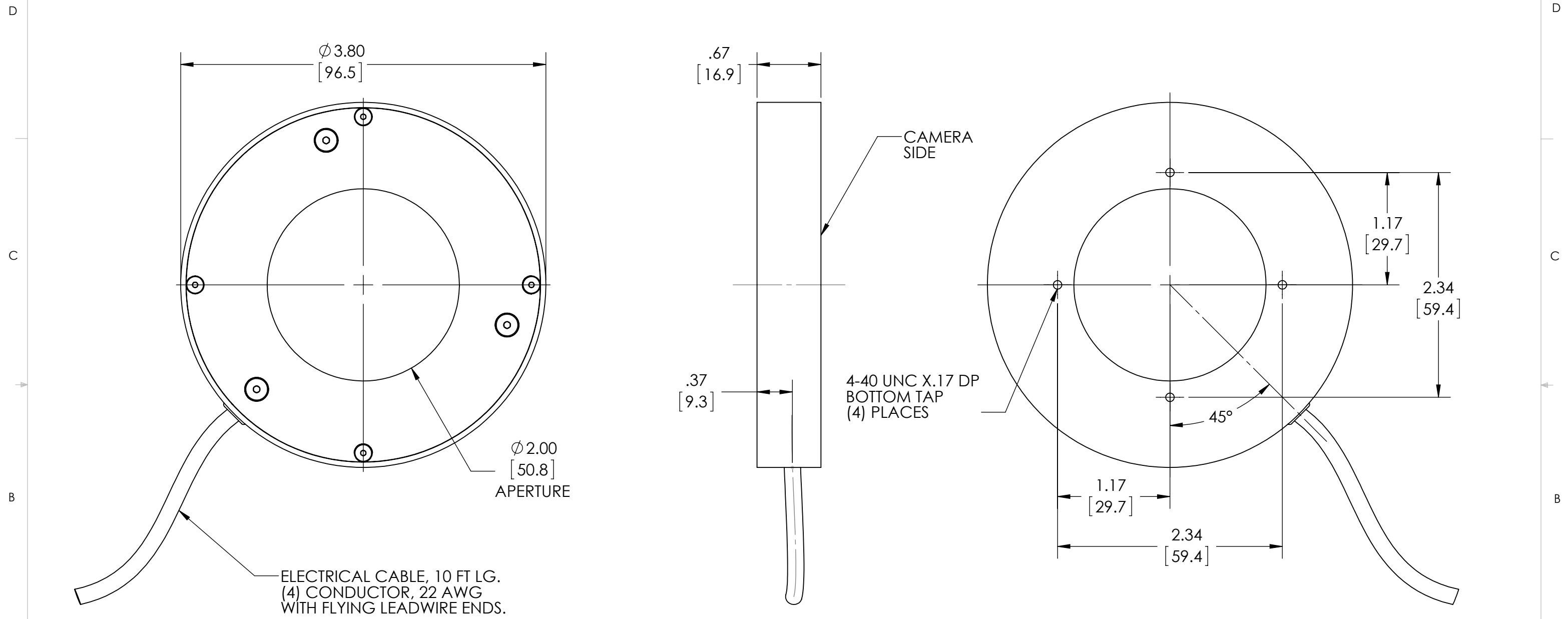


REVISIONS				
ZONE	REV.	DESCRIPTION	DATE	APPROVED
	D	REDRAWN IN SOLIDWORKS, KW	5/1/2012	



945 East 11th Avenue Tampa, FL 33605
 Phone: (813) 984-0125
 Contact: Sales@pyramidimaging.com
<https://pyramidimaging.com>

PROPRIETARY AND CONFIDENTIAL
 THE INFORMATION CONTAINED IN THIS DRAWING IS THE SOLE PROPERTY OF <INSERT COMPANY NAME HERE>. ANY REPRODUCTION IN PART OR AS A WHOLE WITHOUT THE WRITTEN PERMISSION OF <INSERT COMPANY NAME HERE> IS PROHIBITED.

UNLESS OTHERWISE SPECIFIED:		NAME	DATE	METAPHASE TECHNOLOGIES, INC.	
DIMENSIONS ARE IN INCHES		DRAWN	KW	5/1/2012	TITLE:
TOLERANCES:		CHECKED			ROUND OFF AXIS RING LIGHT, 2 INCH
FRACTIONAL ± 1/64		ENG APPR.			
ANGULAR: MACH ± 1/2° BEND ± 2°		MFG APPR.			
TWO PLACE DECIMAL ± .01		Q.A.			
THREE PLACE DECIMAL ± .005		COMMENTS:			
INTERPRET GEOMETRIC TOLERANCING PER:					
MATERIAL					
FINISH					
NEXT ASSY	USED ON				SIZE DWG. NO. REV
					B ROARL101 D
APPLICATION		DO NOT SCALE DRAWING		SCALE: 1:1	WEIGHT: SHEET 1 OF 1