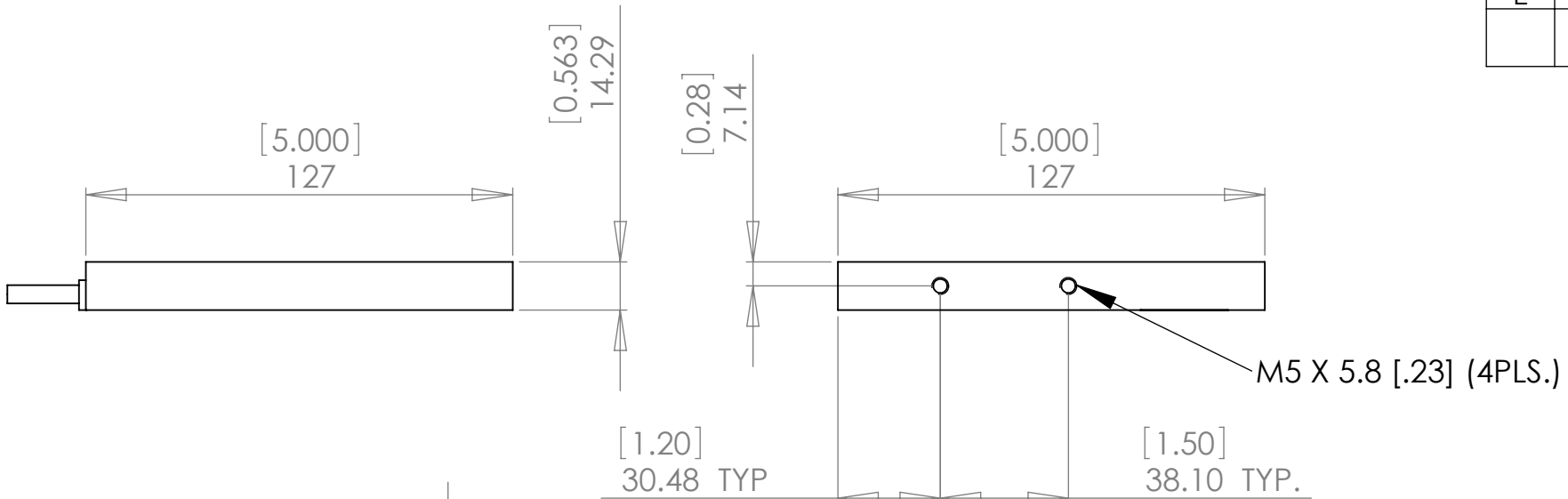


8 7 6 5 4 3 2 1

REVISIONS				
ZONE	REV.	DESCRIPTION	DATE	APPROVED
	A	RELEASED	7/9/2009	

D

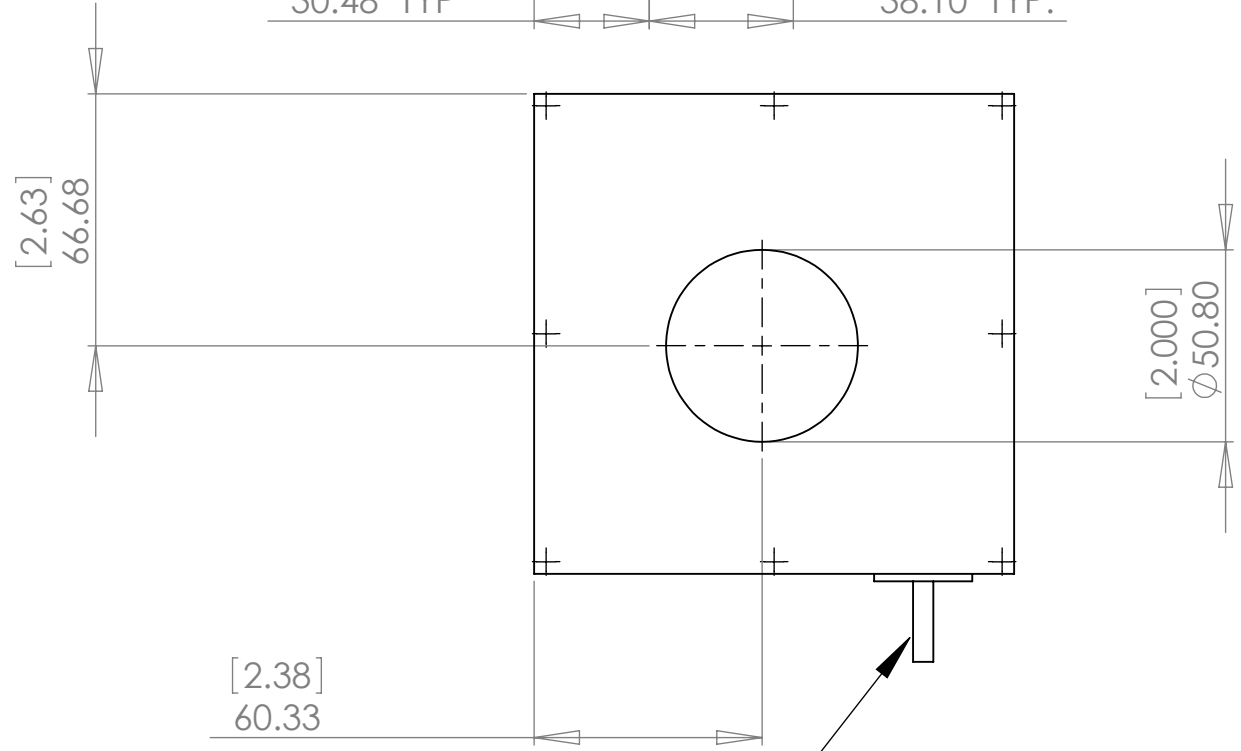
D



M5 X 5.8 [.23] (4PLS.)

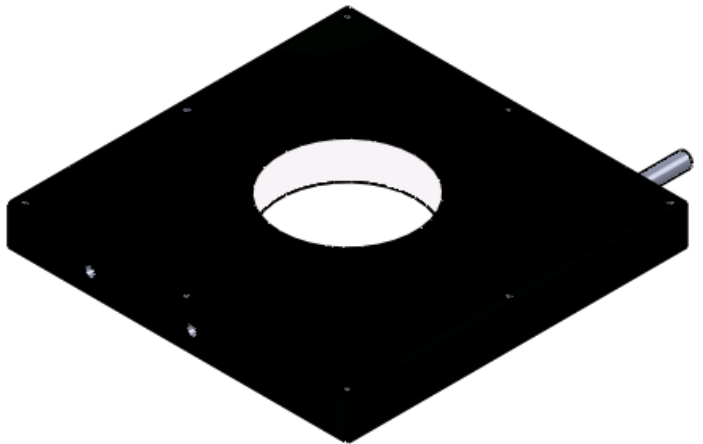
C

C



B

B



10 FT.CABLE WITH FLYING LEADS

A

A



945 East 11<sup>th</sup> Avenue Tampa, FL 33605  
 Phone: (813) 984-0125  
 Contact: Sales@pyramidimaging.com  
<https://pyramidimaging.com>

**PROPRIETARY AND CONFIDENTIAL**  
 THE INFORMATION CONTAINED IN THIS DRAWING IS THE SOLE PROPERTY OF METAPHASE TECHNOLOGIES, INC. ANY REPRODUCTION IN PART OR AS A WHOLE WITHOUT THE WRITTEN PERMISSION OF METAPHASE TECHNOLOGIES, INC. IS PROHIBITED.

UNLESS OTHERWISE SPECIFIED:		NAME	DATE	Metaphase Technologies, Inc.	
DIMENSIONS ARE IN MM [INCHES]		DRAWN	Sherwin Li	7/29/08	TITLE: Off-Axis Ring Light Dia. 2"
TOLERANCES:		CHECKED			
FRACTIONAL ±		ENG APPR.			
ANGULAR: MACH ± BEND ±		MFG APPR.			
TWO PLACE DECIMAL ±		Q.A.			SIZE DWG. NO. REV <b>B</b> OARL 101 <b>A</b>
THREE PLACE DECIMAL ±		COMMENTS:			
INTERPRET GEOMETRIC TOLERANCING PER:				SCALE: 1:2	WEIGHT:
MATERIAL				SHEET 1 OF 1	
FINISH					
NEXT ASSY	USED ON				
APPLICATION				DO NOT SCALE DRAWING	

8 7 6 5 4 3 2 1