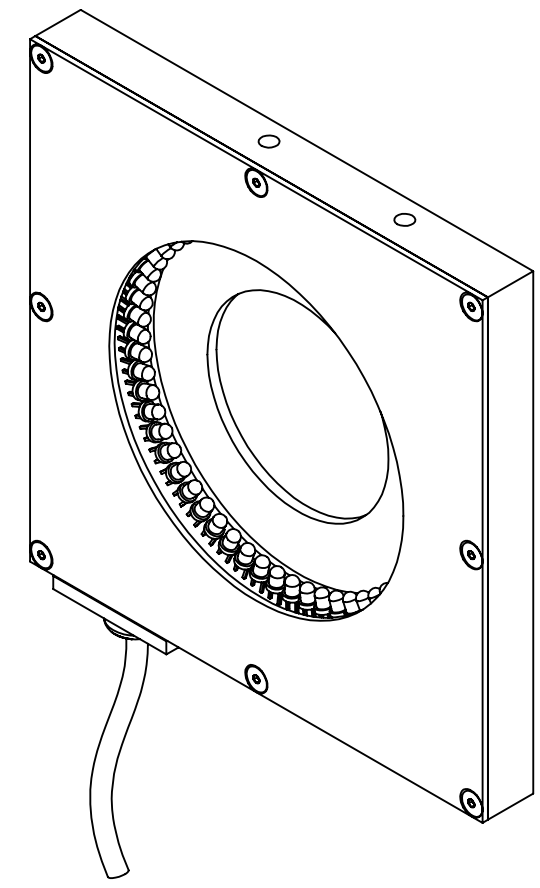
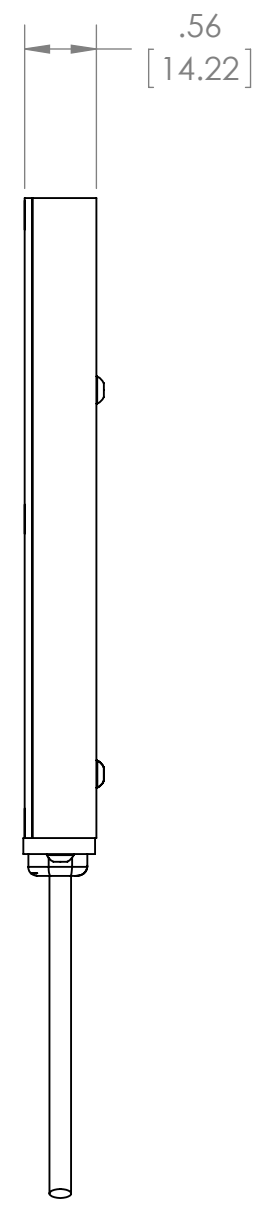
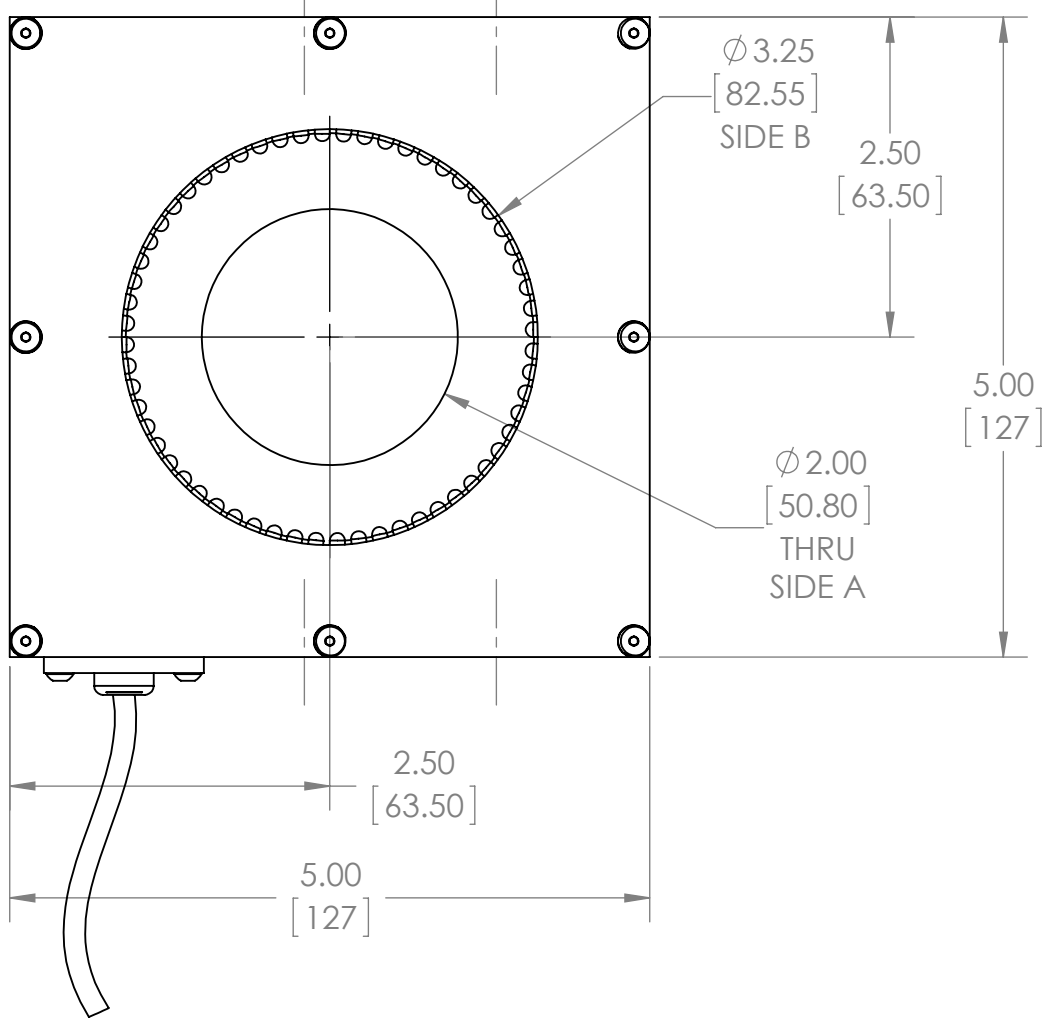
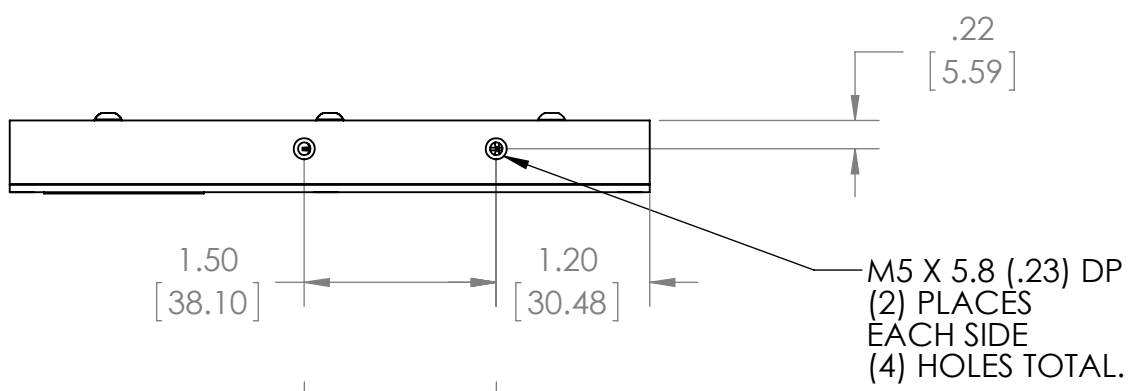


8 7 6 5 4 3 2 1

REVISIONS				
ZONE	REV.	DESCRIPTION	DATE	APPROVED
	A	PART NO. WAS ORAL111, ECR #0031, KW	3/6/2012	



D
C
B
A

D
C
B
A



945 East 11th Avenue Tampa, FL 33605
 Phone: (813) 984-0125
 Contact: Sales@pyramidimaging.com
<https://pyramidimaging.com>

PROPRIETARY AND CONFIDENTIAL
 THE INFORMATION CONTAINED IN THIS DRAWING IS THE SOLE PROPERTY OF <INSERT COMPANY NAME HERE>. ANY REPRODUCTION IN PART OR AS A WHOLE WITHOUT THE WRITTEN PERMISSION OF <INSERT COMPANY NAME HERE> IS PROHIBITED.

UNLESS OTHERWISE SPECIFIED:		NAME	DATE	METAPHASE TECHNOLOGIES, INC.	
DIMENSIONS ARE IN INCHES		DRAWN	KW	1-28-11	TITLE: RING LIGHT, OFF AXIS 2" ID SIDE A, 3.25" ID SIDE B
TOLERANCES:		CHECKED			
FRACTIONAL ±		ENG APPR.			
ANGULAR: MACH ± BEND ±		MFG APPR.			
TWO PLACE DECIMAL ±		Q.A.			SIZE PART NO. REV B MB-OARL111 A
THREE PLACE DECIMAL ±		DRAWING NO.	OARL111 (A)		
INTERPRET GEOMETRIC TOLERANCING PER:				SCALE: 1:2	WEIGHT:
MATERIAL				SHEET 1 OF 1	
FINISH					
NEXT ASSY	USED ON				
APPLICATION		DO NOT SCALE DRAWING			

8 7 6 5 4 3 2 1