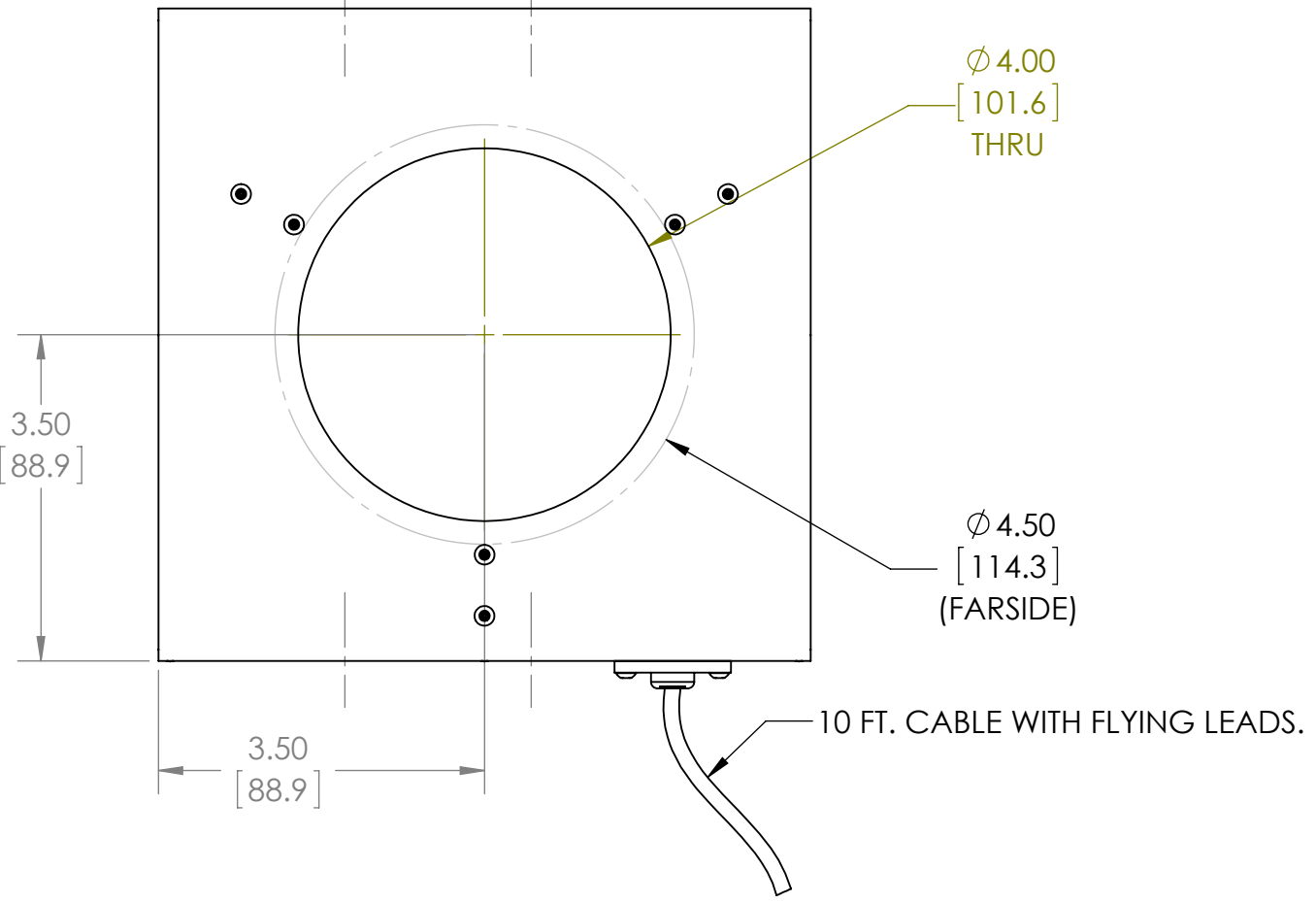
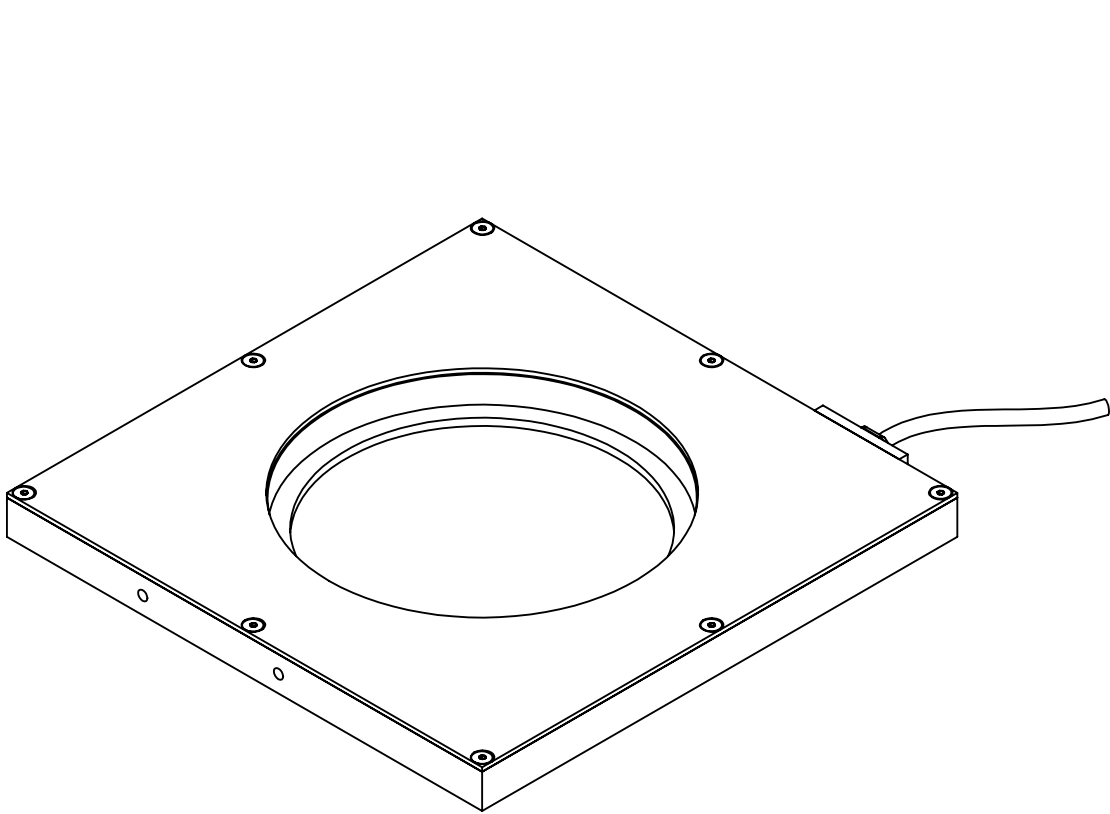
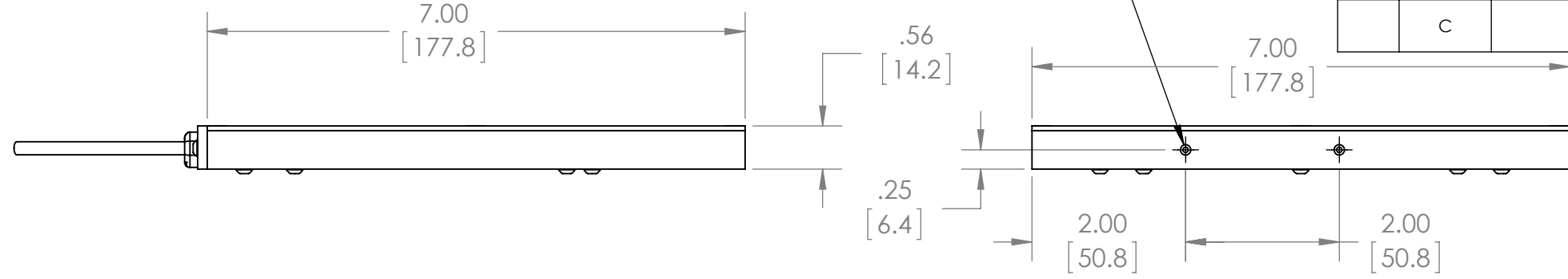


8 7 6 5 4 3 2 1

REVISIONS				
ZONE	REV.	DESCRIPTION	DATE	APPROVED
	B	REVISED AND REDRAWN, KW	1/21/2011	
	C	ADDED USED ON ASSEMBLIES, KW	4/24/2012	

#8-32 UNC X .23 DP.
(2) PLACES
BOTH SIDES
(4) HOLES TOTAL



945 East 11th Avenue Tampa, FL 33605
Phone: (813) 984-0125
Contact: Sales@pyramidimaging.com
<https://pyramidimaging.com>

PROPRIETARY AND CONFIDENTIAL
THE INFORMATION CONTAINED IN THIS DRAWING IS THE SOLE PROPERTY OF <INSERT COMPANY NAME HERE>. ANY REPRODUCTION IN PART OR AS A WHOLE WITHOUT THE WRITTEN PERMISSION OF <INSERT COMPANY NAME HERE> IS PROHIBITED.

UNLESS OTHERWISE SPECIFIED:		NAME	DATE	METAPHASE TECHNOLOGIES, INC.
DIMENSIONS ARE IN INCHES TOLERANCES: FRACTIONAL ± ANGULAR: MACH ± BEND ± TWO PLACE DECIMAL ± THREE PLACE DECIMAL ±		DRAWN		
© OARL241 © OARL221	INTERPRET GEOMETRIC TOLERANCING PER:	CHECKED		SIZE DWG. NO. REV B OARL201 C
	MATERIAL	ENG APPR.		
NEXT ASSY	USED ON	MFG APPR.		
APPLICATION	DO NOT SCALE DRAWING	Q.A.		
		COMMENTS:		

8 7 6 5 4 3 2 1