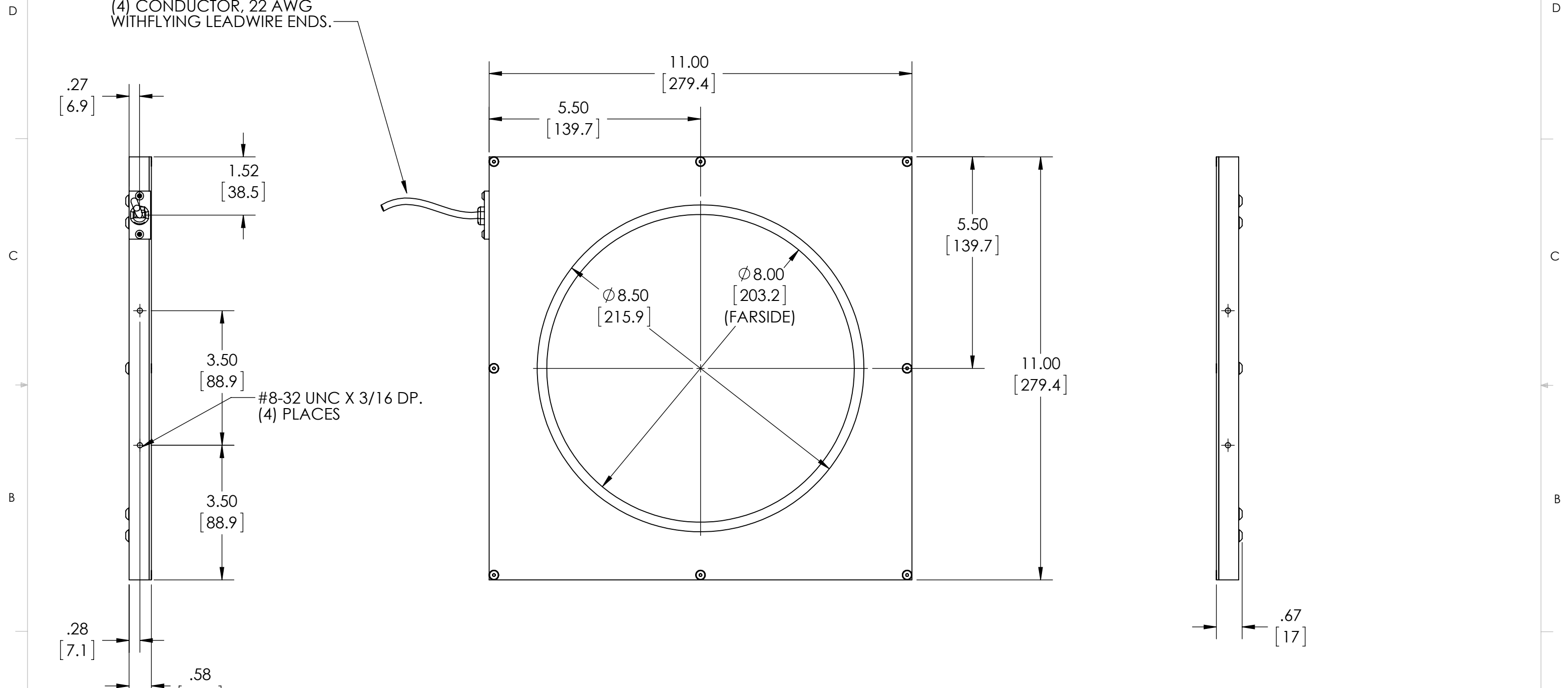


8 7 6 5 4 3 2 1

REVISIONS				
ZONE	REV.	DESCRIPTION	DATE	APPROVED
	A	REDRAWN IN SOLIDWORKS, KW	6/8/2012	

ELECTRICAL CABLE, 10 FT LG.  
(4) CONDUCTOR, 22 AWG  
WITH FLYING LEADWIRE ENDS.



945 East 11<sup>th</sup> Avenue Tampa, FL 33605  
Phone: (813) 984-0125  
Contact: Sales@pyramidimaging.com  
<https://pyramidimaging.com>

**PROPRIETARY AND CONFIDENTIAL**  
THE INFORMATION CONTAINED IN THIS DRAWING IS THE SOLE PROPERTY OF <INSERT COMPANY NAME HERE>. ANY REPRODUCTION IN PART OR AS A WHOLE WITHOUT THE WRITTEN PERMISSION OF <INSERT COMPANY NAME HERE> IS PROHIBITED.

UNLESS OTHERWISE SPECIFIED:		NAME	DATE	METAPHASE TECHNOLOGIES, INC.	
DIMENSIONS ARE IN INCHES		DRAWN	KW	6/8/2012	TITLE: <b>OFF AXIS RING LIGHT, 8 INCH</b>
TOLERANCES:		CHECKED			
FRACTIONAL $\pm 1/64$		ENG APPR.			
ANGULAR: MACH $\pm 1/2^\circ$ BEND $\pm 2^\circ$		MFG APPR.			
TWO PLACE DECIMAL $\pm .01$		Q.A.			SIZE DWG. NO. REV <b>B OARL401 A</b>
THREE PLACE DECIMAL $\pm .005$		COMMENTS:			
INTERPRET GEOMETRIC TOLERANCING PER:				SCALE: 1:2	WEIGHT:
MATERIAL				SHEET 1 OF 1	
FINISH					
NEXT ASSY	USED ON				
APPLICATION		DO NOT SCALE DRAWING			

8 7 6 5 4 3 2 1