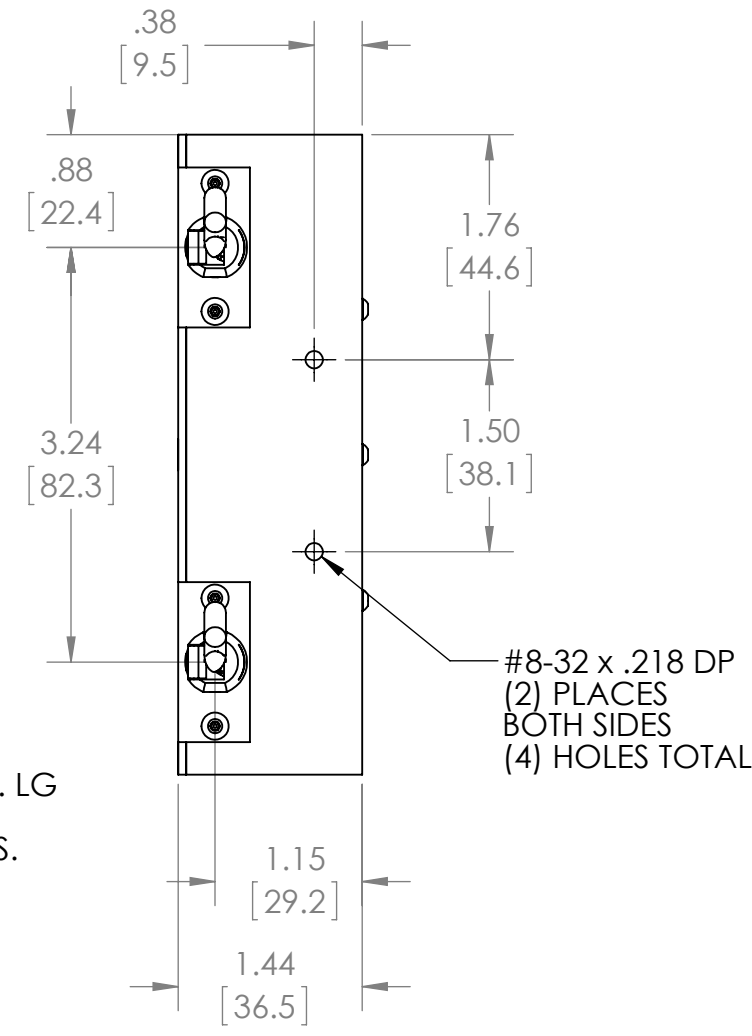
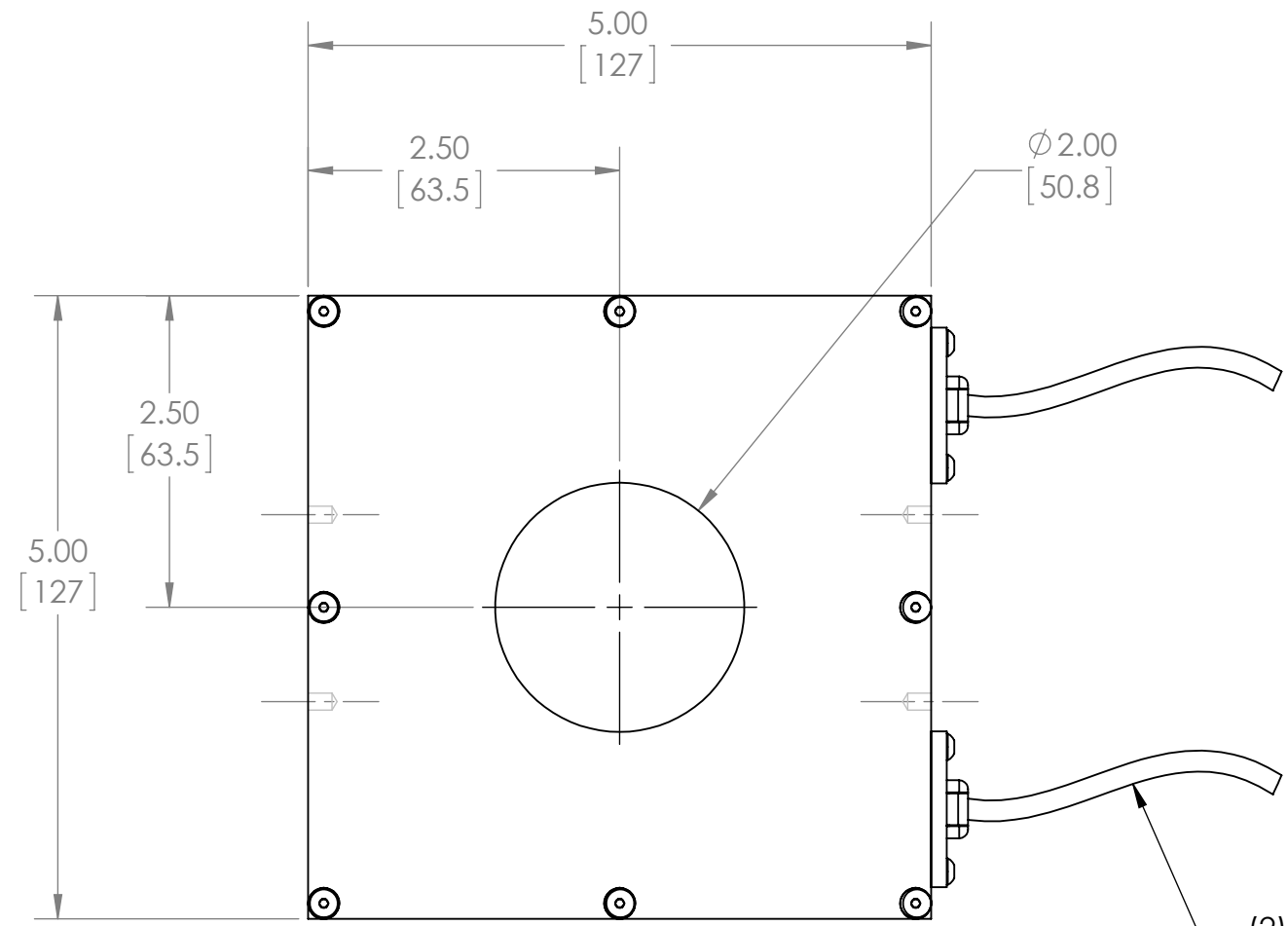


REVISIONS				
ZONE	REV.	DESCRIPTION	DATE	APPROVED



(2) ELECTRICAL CABLE, 10 FT. LG
 (4) CONDUCTOR, 22 AWG
 WITH FLYING LEADWIRE ENDS.

#8-32 x .218 DP
 (2) PLACES
 BOTH SIDES
 (4) HOLES TOTAL



945 East 11th Avenue Tampa, FL 33605
 Phone: (813) 984-0125
 Contact: Sales@pyramidimaging.com
<https://pyramidimaging.com>

PROPRIETARY AND CONFIDENTIAL
 THE INFORMATION CONTAINED IN THIS DRAWING IS THE SOLE PROPERTY OF <INSERT COMPANY NAME HERE>. ANY REPRODUCTION IN PART OR AS A WHOLE WITHOUT THE WRITTEN PERMISSION OF <INSERT COMPANY NAME HERE> IS PROHIBITED.

UNLESS OTHERWISE SPECIFIED:		NAME	DATE	METAPHASE TECHNOLOGIES, INC.	
DIMENSIONS ARE IN INCHES		DRAWN	KW	1/21/2012	TITLE: RING LIGHT, DUAL OFF AXIS
TOLERANCES:		CHECKED			
FRACTIONAL $\pm 1/64$		ENG APPR.			
ANGULAR: MACH $\pm 1/2^\circ$ BEND $\pm 2^\circ$		MFG APPR.			
TWO PLACE DECIMAL $\pm .01$		Q.A.			SIZE DWG. NO. REV B DOARL101
THREE PLACE DECIMAL $\pm .005$		COMMENTS:			
INTERPRET GEOMETRIC TOLERANCING PER:				SCALE: 1:2	WEIGHT:
MATERIAL				SHEET 1 OF 1	
FINISH					
NEXT ASSY	USED ON				
APPLICATION				DO NOT SCALE DRAWING	