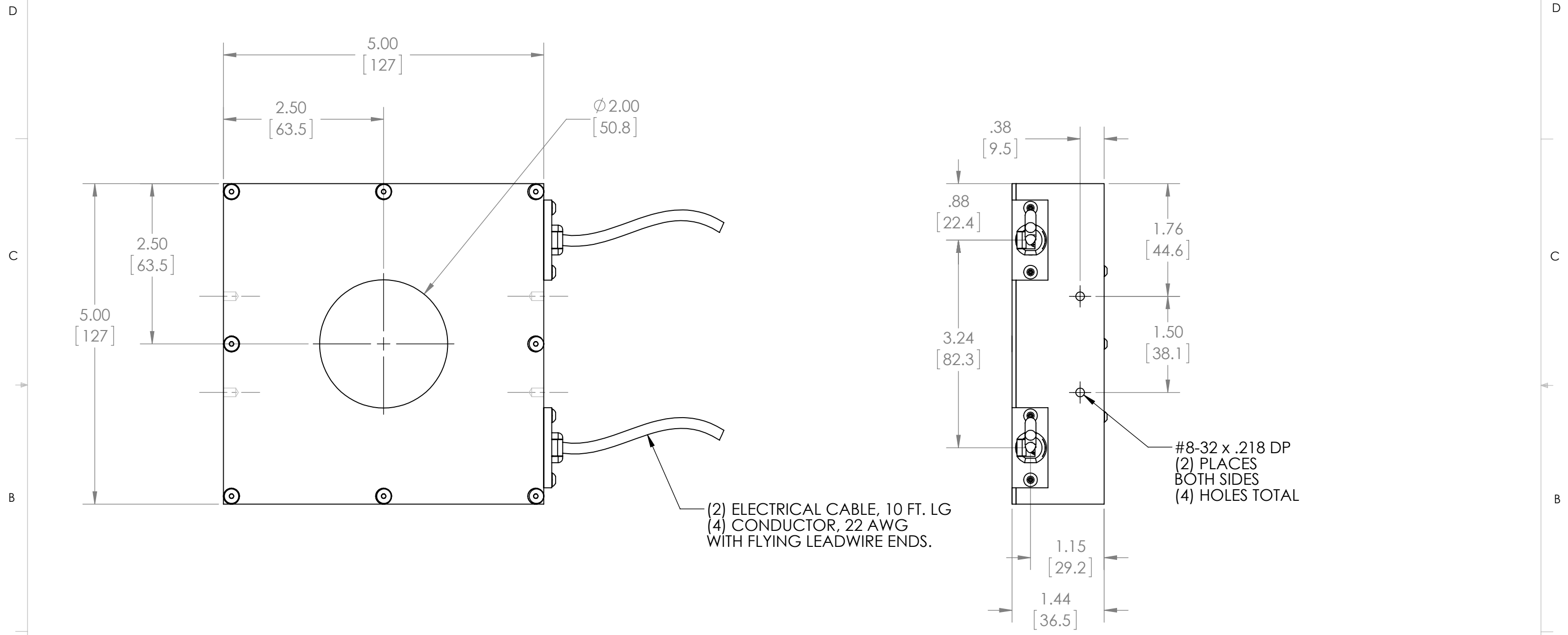


8 7 6 5 4 3 2 1

REVISIONS				
ZONE	REV.	DESCRIPTION	DATE	APPROVED



945 East 11th Avenue Tampa, FL 33605
 Phone: (813) 984-0125
 Contact: Sales@pyramidimaging.com
<https://pyramidimaging.com>

PROPRIETARY AND CONFIDENTIAL
 THE INFORMATION CONTAINED IN THIS DRAWING IS THE SOLE PROPERTY OF <INSERT COMPANY NAME HERE>. ANY REPRODUCTION IN PART OR AS A WHOLE WITHOUT THE WRITTEN PERMISSION OF <INSERT COMPANY NAME HERE> IS PROHIBITED.

		UNLESS OTHERWISE SPECIFIED:	NAME	DATE	METAPHASE TECHNOLOGIES, INC.
		DIMENSIONS ARE IN INCHES	DRAWN	KW	
		TOLERANCES:	CHECKED		TITLE:
		FRACTIONAL ± 1/64	ENG APPR.		RING LIGHT, DUAL OFF AXIS
		ANGULAR: MACH ± 1/2° BEND ± 2°	MFG APPR.		
		TWO PLACE DECIMAL ± .01	Q.A.		
		THREE PLACE DECIMAL ± .005	COMMENTS:		
		INTERPRET GEOMETRIC TOLERANCING PER:			SIZE
		MATERIAL			DWG. NO.
NEXT ASSY	USED ON	FINISH			REV
APPLICATION		DO NOT SCALE DRAWING			B DOARL101
					SCALE: 1:2
					WEIGHT:
					SHEET 1 OF 1

8 7 6 5 4 3 2 1