

MetaLight™ 4 - Ring Off-Axis Ring Light
Model#: QOARL201



- Horizontal Plane of Light
- Useful for Highlighting Surface Defects
- Illuminates Specular Surfaces
- Configurable for Wavelength
- Economical, High Power
- Additional Ring at larger incident angle for flexible illumination

Part #	Color	Power Supply
QOARL201-W-24	White 5500K	24 volt power supply available upon request.
QOARL201-R-24	Red 630nm	
QOARL201-B-24	Blue 455nm	
QOARL201-G-24	Green 530nm	
QOARL201-IRN-24	Infrared 850nm	
QOARL201-IRL-24	Infrared 880nm	
QOARL201-UVL-24	UV 395nm	
QOARL201-UVS-24	UV 365nm	

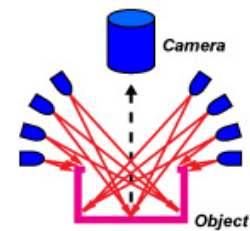
Specifications:

Current Consumption	0.8A
Individual Ring Draw	0.2A
Housing	Anodized Aluminum
Intensity Uniformity	+/-5%
Operating Temperature	120° F Max
Compliance	CE/RoHS
Lifetime Hours	75,000 Hours

10 ft. flying leads come standard on all products.
Light features built-in constant current driver.
No expensive controller required.

Angle of LED Rings

TOP RING - 60°
TOP CENTER RING - 50°
BOTTOM CENTER RING - 40°
BOTTOM RING - 20°

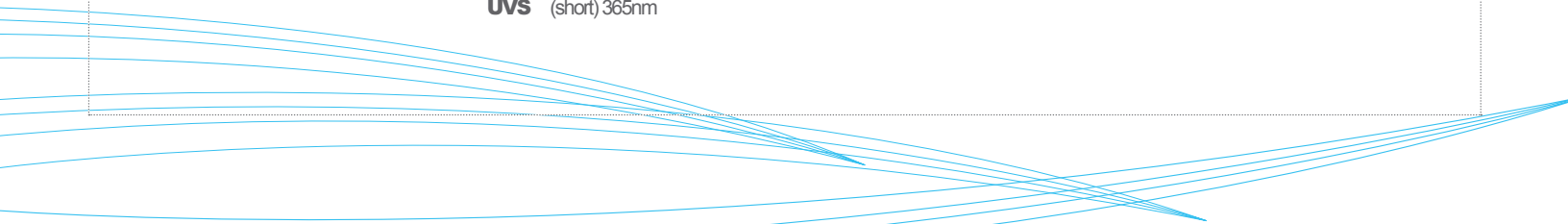


Active Area **Dimensions**

Ø4.50in Aperture	L:	7in / 177.8mm
Ø114.3mm Aperture	W:	7in / 177.8mm
	H:	3.45in / 87.6mm

ORDERING INFORMATION:

• Q O A R L 2 0 1	-	<input type="checkbox"/>	-	2 4	-	<input type="checkbox"/>	
W						*BLANK	10 ft. Flying Leads
R						T	M12 Quick Disconnect
G						ILD	In Line Dimmer
B						ILS	In Line Strobe (customer provide trigger info)
IRL							
UVL							
UVS							



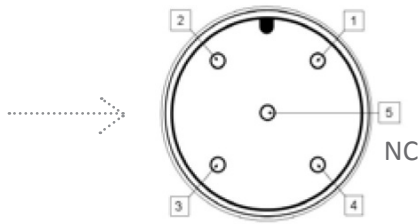
MetaLight™ 4 - Ring Off-Axis Ring Light Model#: QOARL201

Wiring Diagram

Flying Leads	Function
RED	+24VDC
BLACK	Ground
WHITE	+24VDC
GREEN	Ground

M12 Connector

PIN #	Function
1	+24VDC
2	0-10VDC Intensity Control
3	Ground
4	Signal Ground

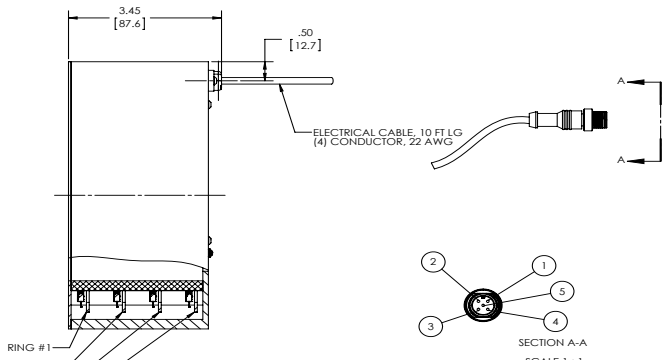
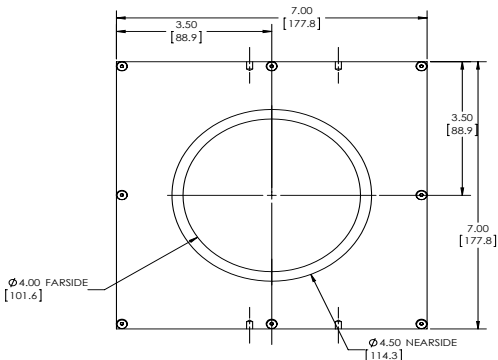
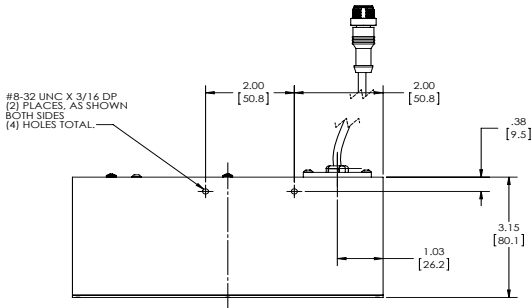


24 AWG 4 WIRES CABLE X 1

When not using intensity control, connect 0-10V control line to +24 (Max Intensity Control = 25V) and intensity control ground to ground

Drawing/Diagram

REVISIONS				
ZONE	REV.	DESCRIPTION	DATE	APPROVED
	A	ADJUSTED CABLE & CONNECTOR, KW	7/27/2012	



NOTES: UNLESS OTHERWISE SPECIFIED

MODEL #	Length of Cable
QOARL	15'

PIN #	COLOR	FUNCTION
1	BROWN	+24 - ring 1
2	WHITE	+24 - ring 2
3	BLUE	+24 - ring 3
4	BLACK	+24 - ring 4
5	GRAY	OVDC - Ground

TOTAL CURRENT CONSUMPTION:
Estimates = 1.0 MAX @ 24VDC (*0.2A per ring)

UNLESS OTHERWISE SPECIFIED:		NAME	DATE
DIMENSIONS ARE IN INCHES	DRAWN	KW	7/25/2012
TOLERANCES:	CHECKED		
FRACTIONS 1/16	ANGULAR DIMENSIONS		
DECIMALS .0005	PLACES DECIMAL		
ANGLES .01	PLACES DECIMAL		
UNLESS OTHERWISE SPECIFIED	UNLESS OTHERWISE SPECIFIED		
FINISHES	FINISHES		
ASSEMBLY	ASSEMBLY		
QUANTITY	QUANTITY		
DATE	DATE		
NEXT ASSY	USED ON		
APPLICATION	DO NOT SCALE DRAWING		

METAPHASE TECHNOLOGIES, INC.
 TITLE: OFF AXIS RING LIGHT, QUAD, 4 INCH W/ M12 CONNECTOR
 SIZE: DWG. NO. QOARL201C A
 SCALE: NTS SHEET 1 OF 1



945 East 11th Avenue Tampa, FL 33605

Phone: (813) 984-0125

Contact: Sales@pyramidimaging.com

https://pyramidimaging.com