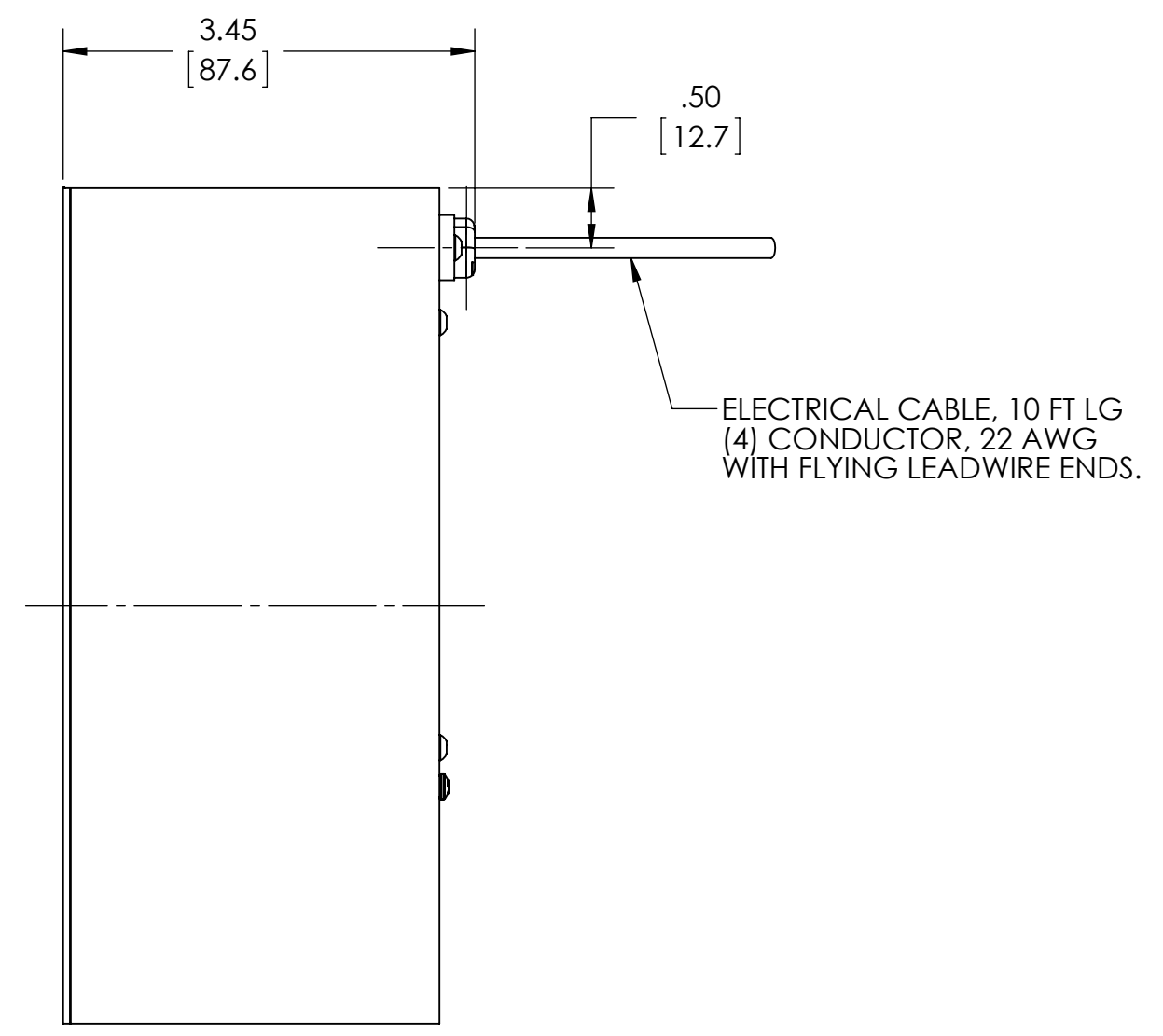
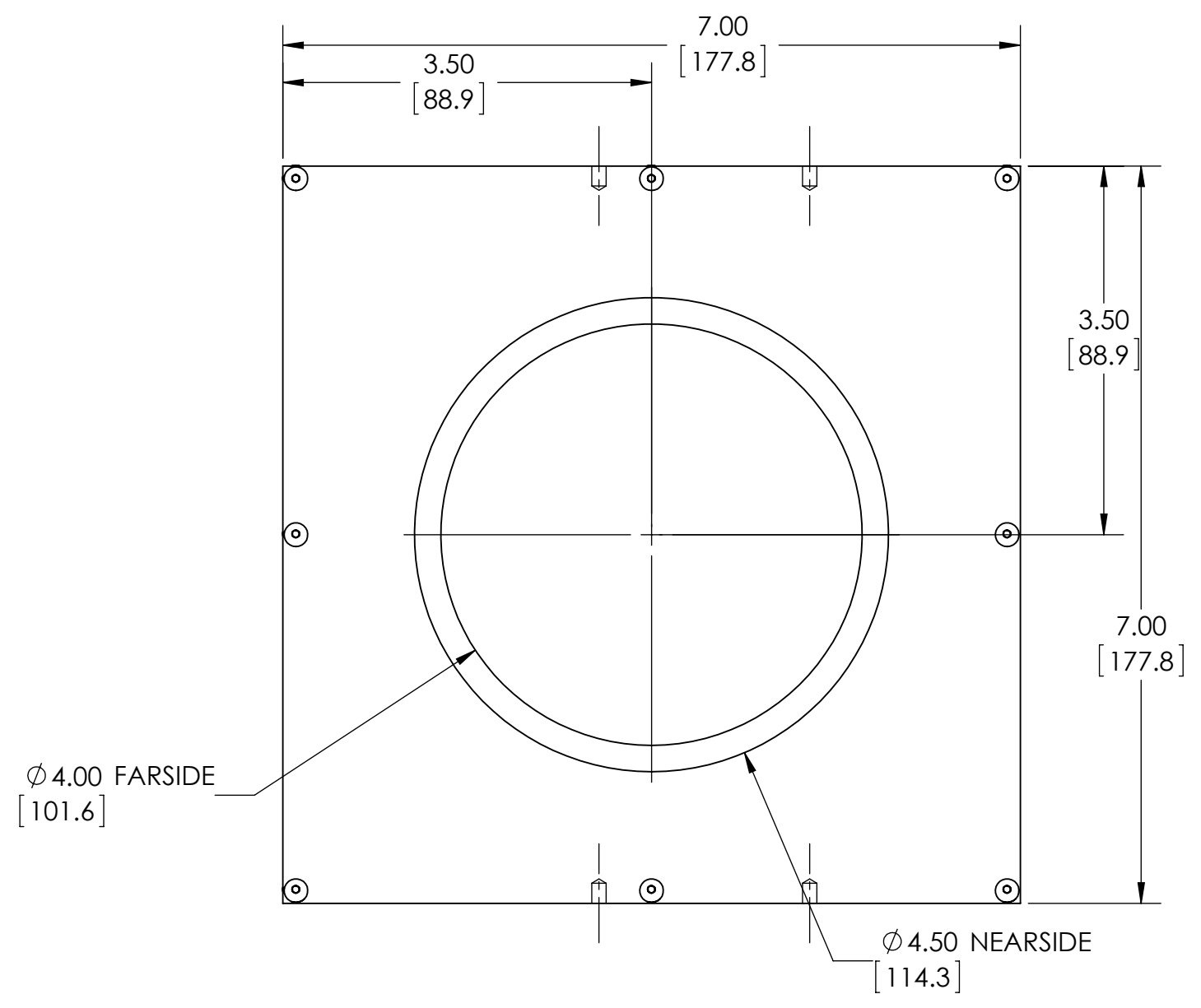
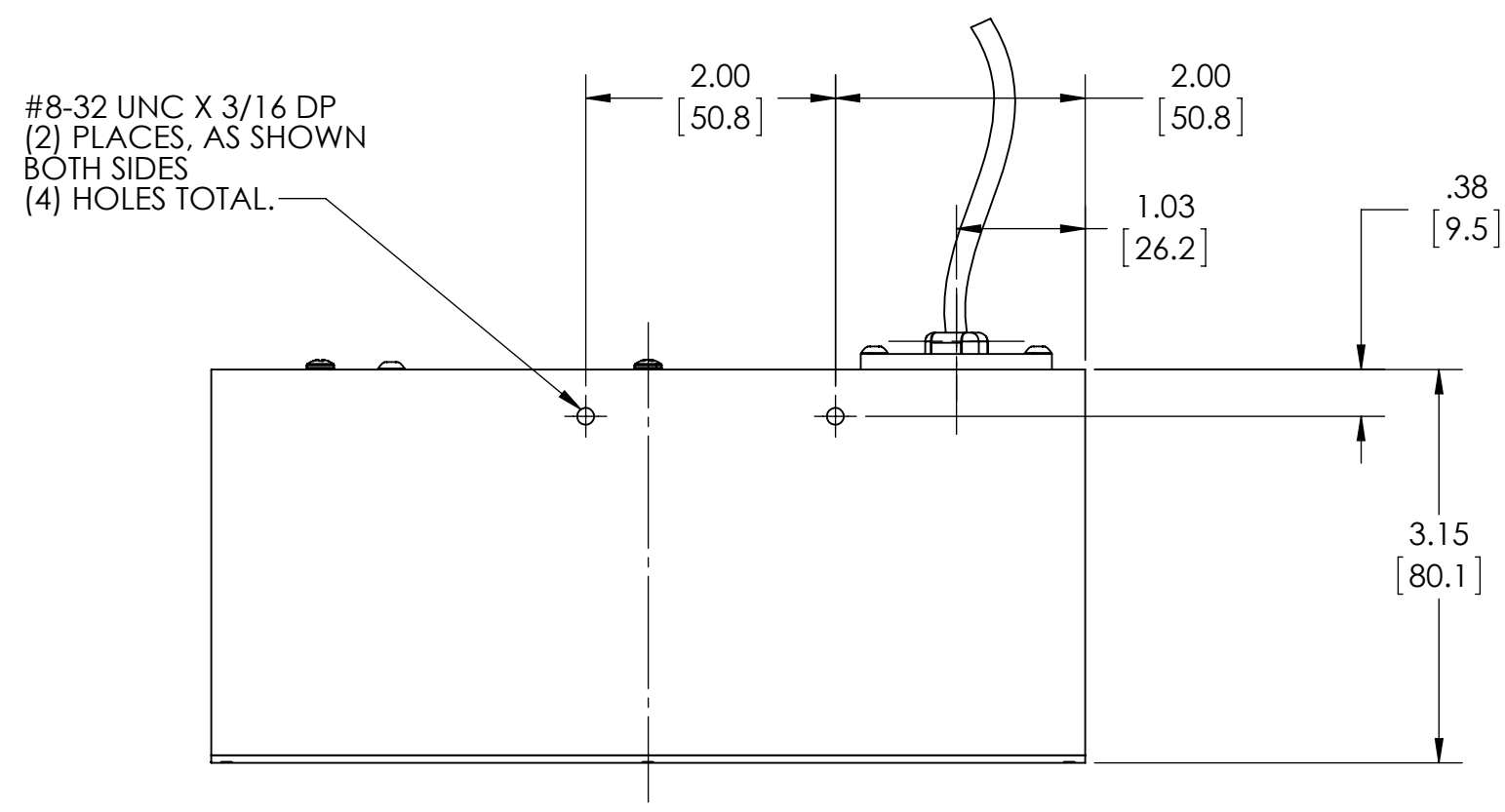


REVISIONS				
ZONE	REV.	DESCRIPTION	DATE	APPROVED
	A	REDRAWN IN SOLIDWORKS, KW	4/30/2012	



945 East 11th Avenue Tampa, FL 33605
 Phone: (813) 984-0125
 Contact: Sales@pyramidimaging.com
<https://pyramidimaging.com>

PROPRIETARY AND CONFIDENTIAL
 THE INFORMATION CONTAINED IN THIS DRAWING IS THE SOLE PROPERTY OF METAPHASE TECHNOLOGIES, INC. ANY REPRODUCTION IN PART OR AS A WHOLE WITHOUT THE WRITTEN PERMISSION OF METAPHASE TECHNOLOGIES, INC. IS PROHIBITED.

UNLESS OTHERWISE SPECIFIED:		NAME	DATE	METAPHASE TECHNOLOGIES, INC.
DIMENSIONS ARE IN INCHES		DRAWN	KW	
TOLERANCES:		CHECKED		TITLE: QUAD OFF AXIS ROUND LIGHT, 4 INCH
FRACTIONAL $\pm 1/64$		ENG APPR.		
ANGULAR: MACH $\pm .5^\circ$ BEND $\pm 2^\circ$		MFG APPR.		
TWO PLACE DECIMAL $\pm .01$		Q.A.		SIZE DWG. NO. REV C QOARL201 B
THREE PLACE DECIMAL $\pm .005$		COMMENTS:		
INTERPRET GEOMETRIC TOLERANCING PER: MATERIAL				SCALE: NTS SHEET 1 OF 1
FINISH				
NEXT ASSY	USED ON			
APPLICATION		DO NOT SCALE DRAWING		