

MetaLight™ 4 - Ring Off-Axis Ring Light  
Model#: QOARL221



- Horizontal Plane of Light
- Useful for Highlighting Surface Defects
- Illuminates Specular Surfaces
- Configurable for Wavelength
- Economical, High Power
- Additional Ring at larger incident angle for flexible illumination

Part #	Color	Power Supply
QOARL221-W-24	White 5500K	24 volt power supply available upon request.
QOARL221-R-24	Red 630nm	
QOARL221-B-24	Blue 455nm	
QOARL221-G-24	Green 530nm	
QOARL221-IRN-24	Infrared 850nm	
QOARL221-IRL-24	Infrared 880nm	
QOARL221-UVL-24	UV 395nm	
QOARL221-UVS-24	UV 365nm	

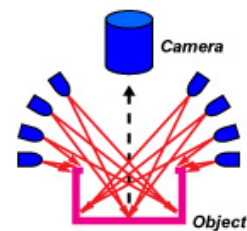
Specifications:	
Current Consumption	0.6A
Individual Ring Draw	0.2A
Housing	Anodized Aluminum
Intensity Uniformity	+/-5%
Operating Temperature	120° F Max
Compliance	CE/RoHS
Lifetime Hours	75,000 Hours

10 ft. flying leads come standard on all products.  
Light features built-in constant current driver.  
No expensive controller required.

Active Area	Dimensions
∅4.50in Aperture	L: 7in / 177.8mm
∅114.3mm Aperture	W: 7in / 177.8mm
	H: 3.45in / 87.6mm

**Angle of LED Rings**

- TOP RING - 60°
- TOP CENTER RING - 50°
- BOTTOM CENTER RING - 40°
- BOTTOM RING - 20°



**ORDERING INFORMATION:**

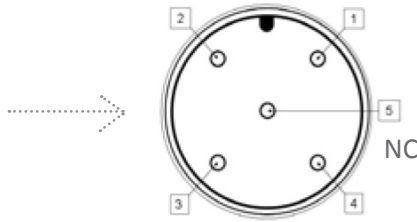
• Q O A R L 2 2 1	-	<input type="checkbox"/>	-	2 4	-	<input type="checkbox"/>	
<b>W</b>		White 5500k				<b>*BLANK</b>	10 ft. Flying Leads
<b>R</b>		Red 630nm				<b>T</b>	M12 Quick Disconnect
<b>G</b>		Green 530nm				<b>ILD</b>	In Line Dimmer
<b>B</b>		Blue 455 nm				<b>ILS</b>	In Line Strobe (customer provide trigger info)
<b>IRL</b>		Infrared 880nm					
<b>UVL</b>		(long) 395nm					
<b>UVS</b>		(short) 365nm					

## MetaLight™ 4 - Ring Off-Axis Ring Light Model#: QOARL221

### Wiring Diagram

#### M12 Connector

PIN #	Function
1	+24VDC
2	0-10VDC Intensity Control
3	Ground
4	Signal Ground



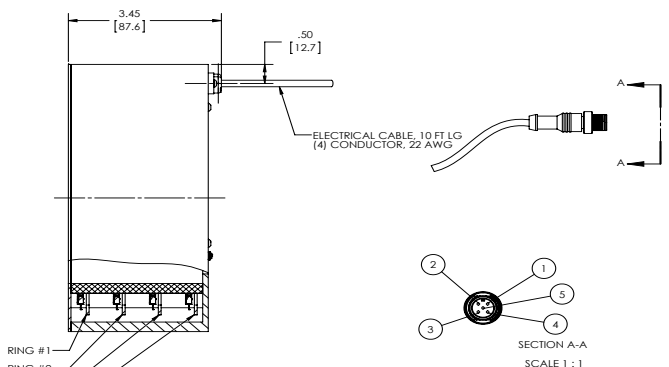
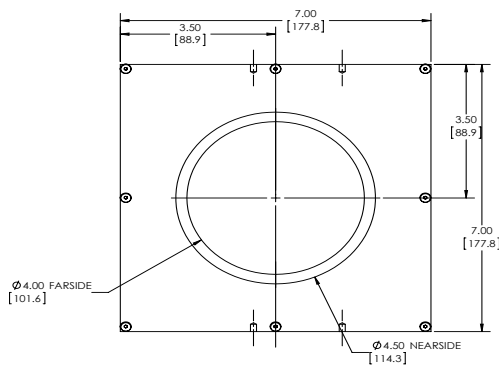
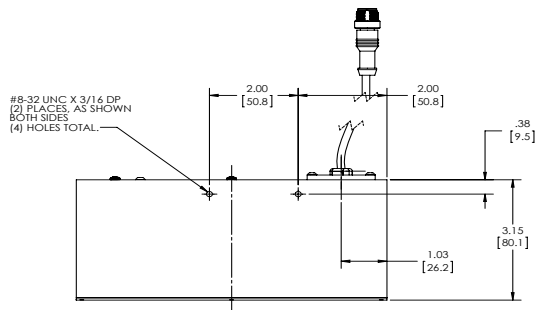
Flying Leads	Function
RED	+24VDC
BLACK	Ground
WHITE	+24VDC
GREEN	Ground

24 AWG 4 WIRES CABLE X 1

When not using intensity control, connect 0-10V control line to +24 (Max Intensity Control = 25V) and intensity control ground to ground

### Drawing/Diagram

REVISIONS				
ZONE	REV.	DESCRIPTION	DATE	APPROVED
	A	ADJUSTED CABLE & CONNECTOR, KW	7/27/2012	



NOTES: UNLESS OTHERWISE SPECIFIED

MODEL #	Length of Cable
QOARL	19"

PIN #	COLOR	FUNCTION
1	BROWN	+24 - ring 1
2	WHITE	+24 - ring 2
3	BLUE	+24 - ring 3
4	BLACK	+24 - ring 4
5	GRAY	0VDC - Ground

TOTAL CURRENT CONSUMPTION:  
Estimates = 1.0 MAX @ 24VDC (\*0.2A per ring)

PROPRIETARY AND CONFIDENTIAL  
THE INFORMATION CONTAINED IN THIS DRAWING IS THE SOLE PROPERTY OF METAPHASE TECHNOLOGIES, INC. ANY REPRODUCTION IN PART OR AS A WHOLE WITHOUT THE WRITTEN PERMISSION OF METAPHASE TECHNOLOGIES, INC. IS PROHIBITED.

UNLESS OTHERWISE SPECIFIED:	NAME	DATE
DESIGNER: KW	7/25/2012	
CHECKED: KW		
INSP: KW		
APP: KW		
DATE: 7/25/2012		
SCALE: NTS		

QOARL221C	REV
1	A



945 East 11<sup>th</sup> Avenue Tampa, FL 33605

Phone: (813) 984-0125

Contact: Sales@pyramidimaging.com

https://pyramidimaging.com