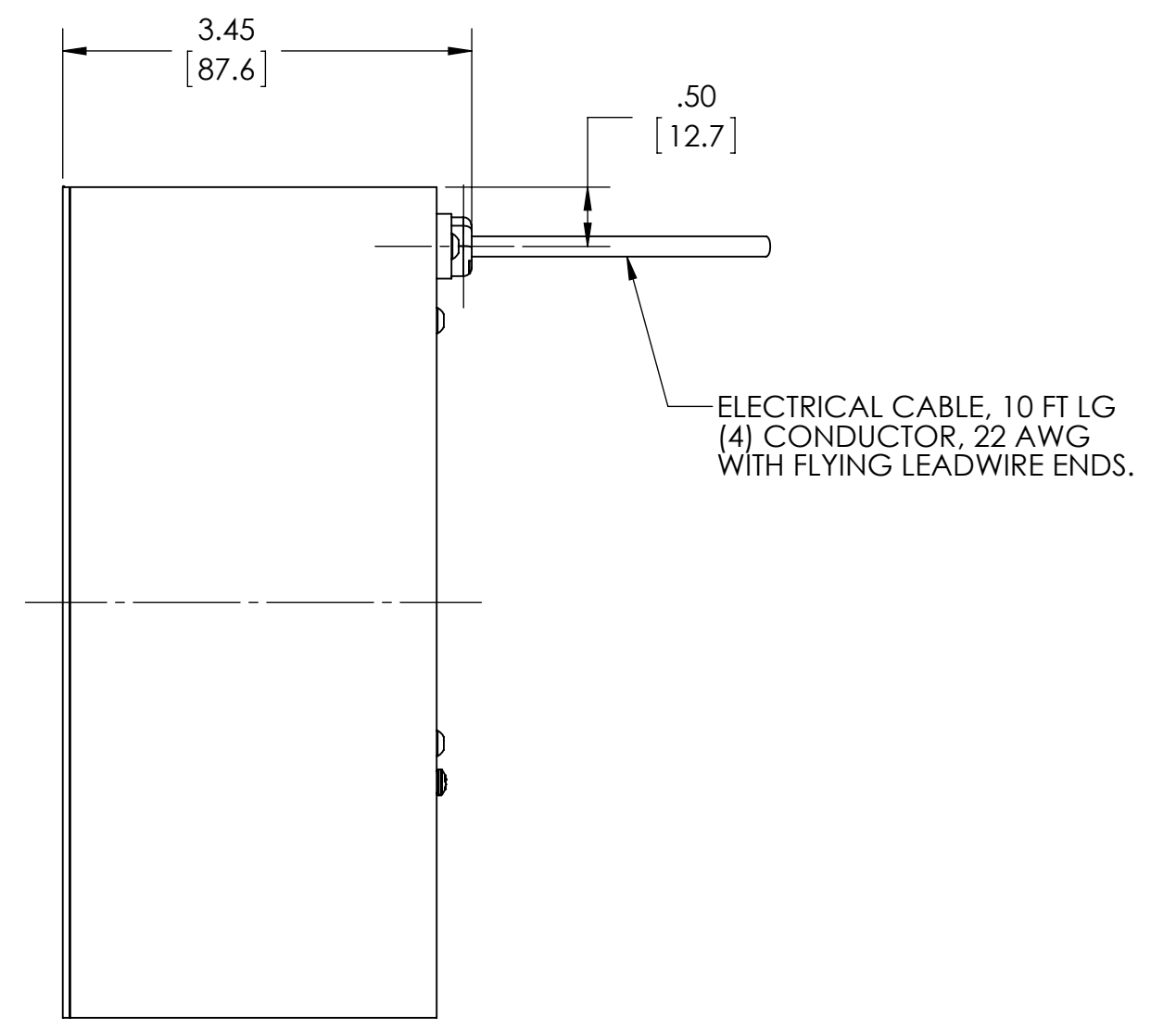
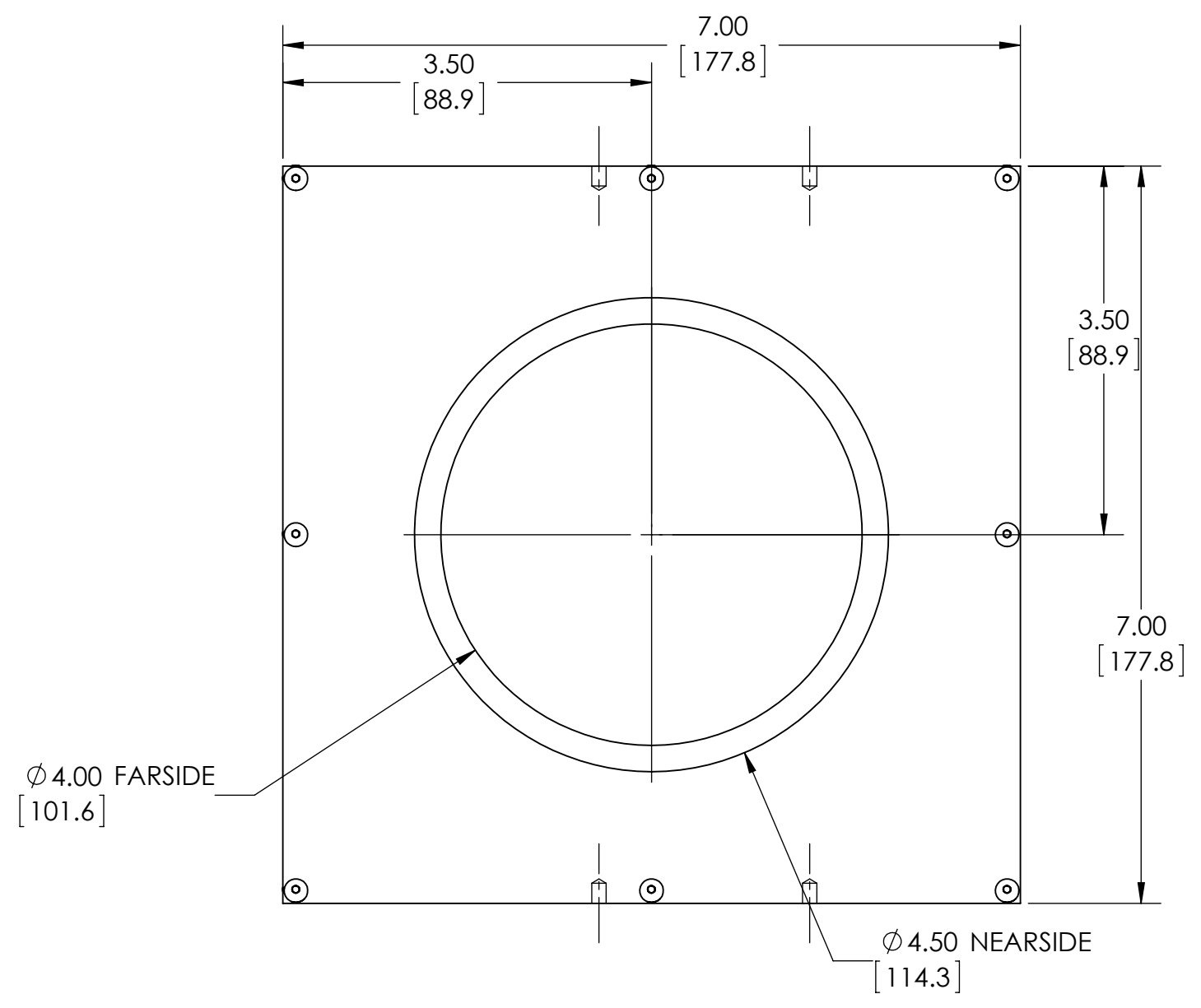
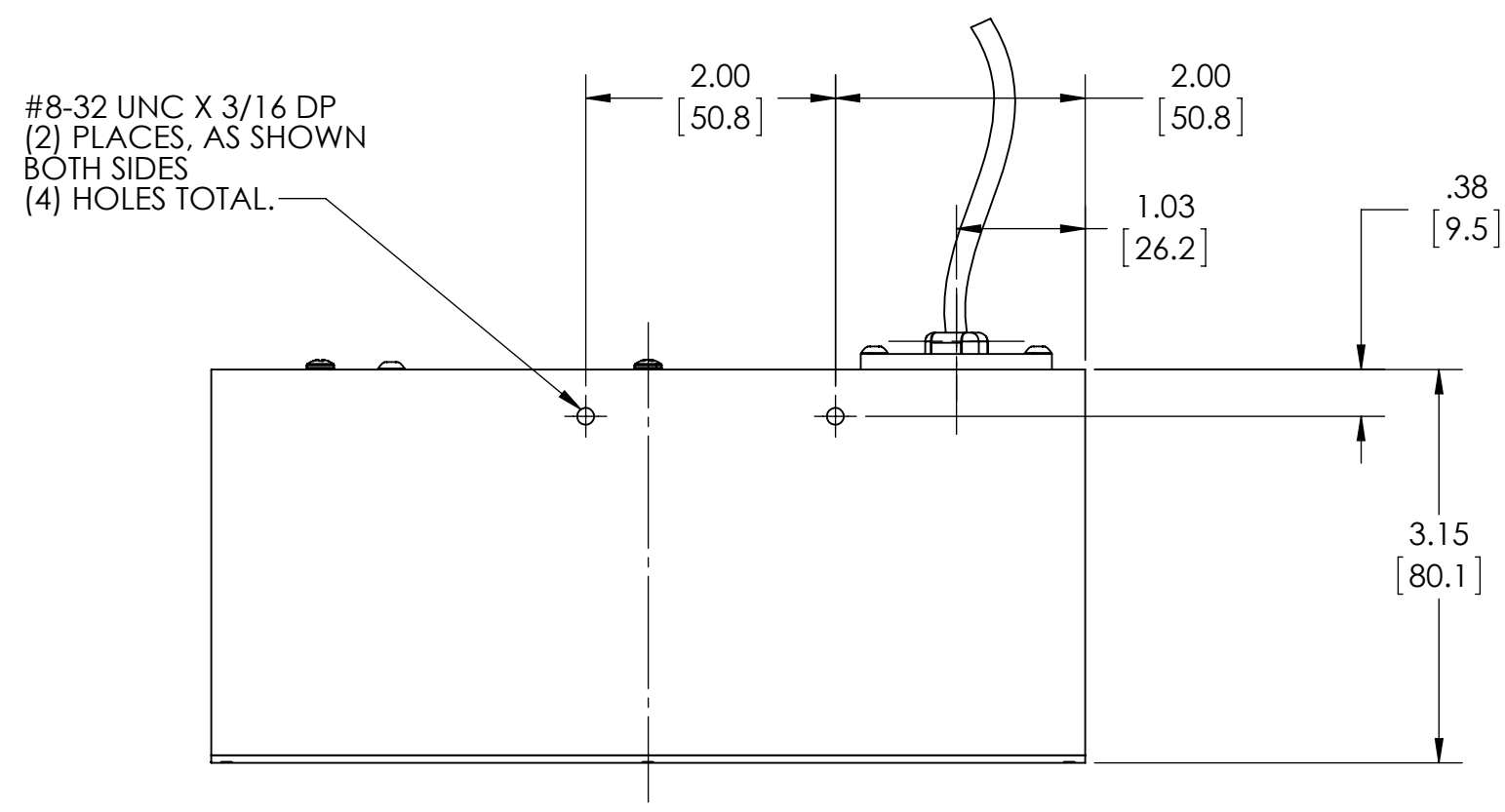


REVISIONS				
ZONE	REV.	DESCRIPTION	DATE	APPROVED
	A	REDRAWN IN SOLIDWORKS, KW	4/30/2012	



945 East 11th Avenue Tampa, FL 33605
Phone: (813) 984-0125
Contact: Sales@pyramidimaging.com
<https://pyramidimaging.com>

PROPRIETARY AND CONFIDENTIAL
THE INFORMATION CONTAINED IN THIS DRAWING IS THE SOLE PROPERTY OF METAPHASE TECHNOLOGIES, INC. ANY REPRODUCTION IN PART OR AS A WHOLE WITHOUT THE WRITTEN PERMISSION OF METAPHASE TECHNOLOGIES, INC. IS PROHIBITED.

UNLESS OTHERWISE SPECIFIED: DIMENSIONS ARE IN INCHES TOLERANCES: FRACTIONAL ±1/64 ANGULAR: MACH ±.5° BEND ± 2° TWO PLACE DECIMAL ±.01 THREE PLACE DECIMAL ±.005		NAME KW	DATE 4/30/2012	METAPHASE TECHNOLOGIES, INC.
QOARL221	FINISH	CHECKED	ENG APPR.	TITLE: QUAD OFF AXIS ROUND LIGHT, 4 INCH
NEXT ASSY	USED ON	MFG APPR.	Q.A.	COMMENTS:
APPLICATION	DO NOT SCALE DRAWING	SCALE: NTS		SHEET 1 OF 1
MATERIAL		INTERPRET GEOMETRIC TOLERANCING PER:		SIZE DWG. NO. REV C QOARL201 B