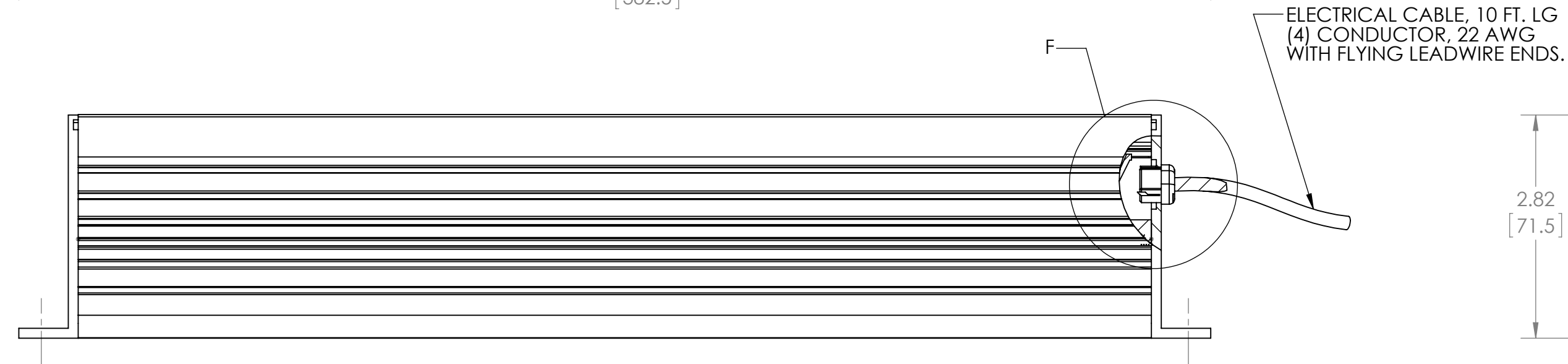
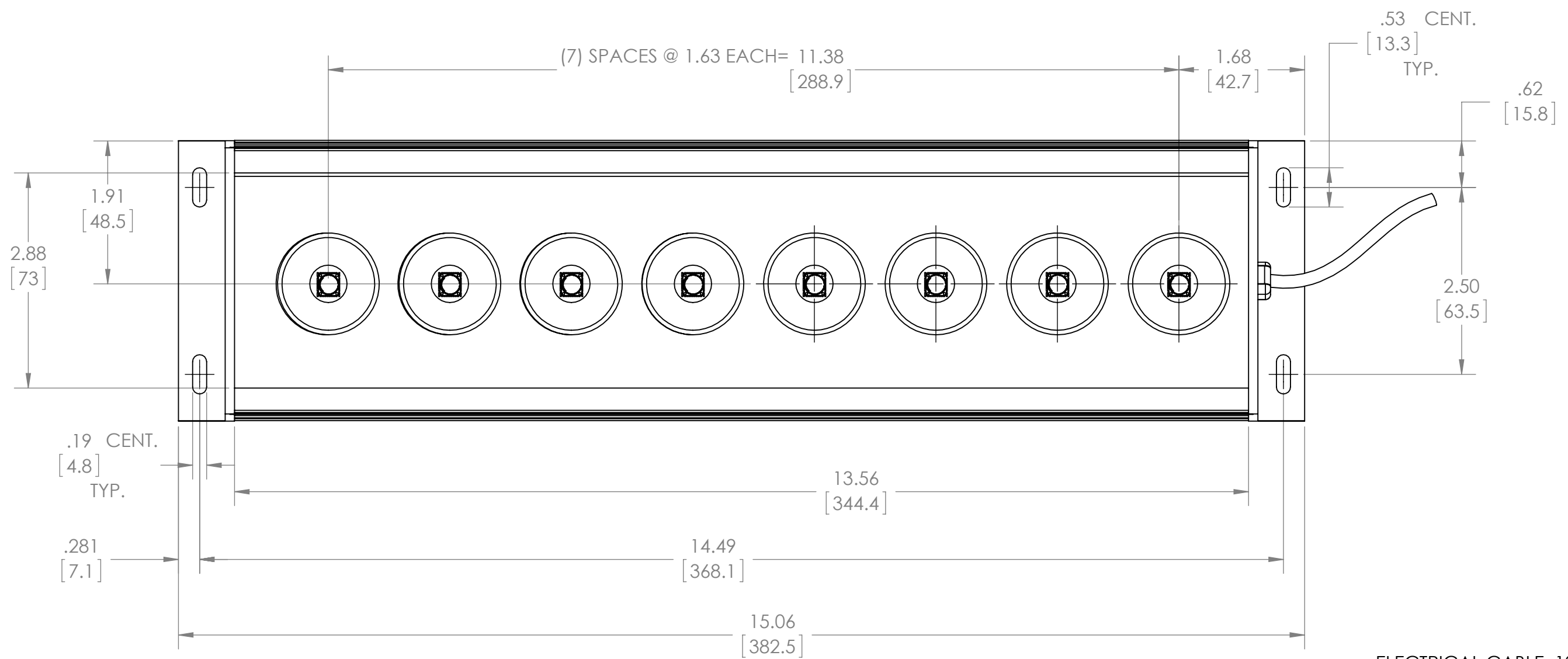
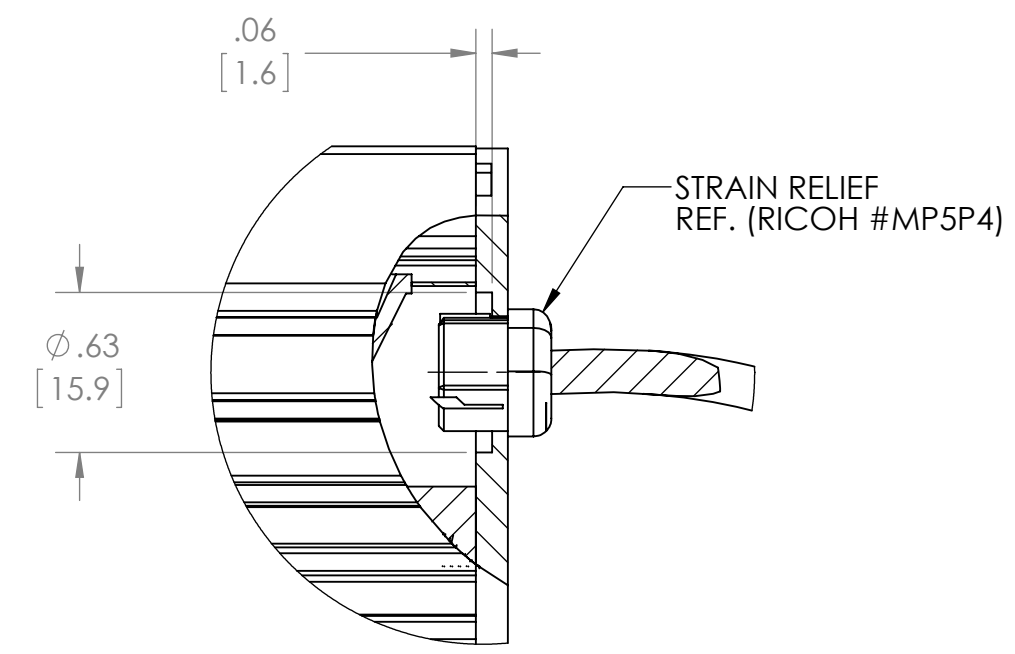
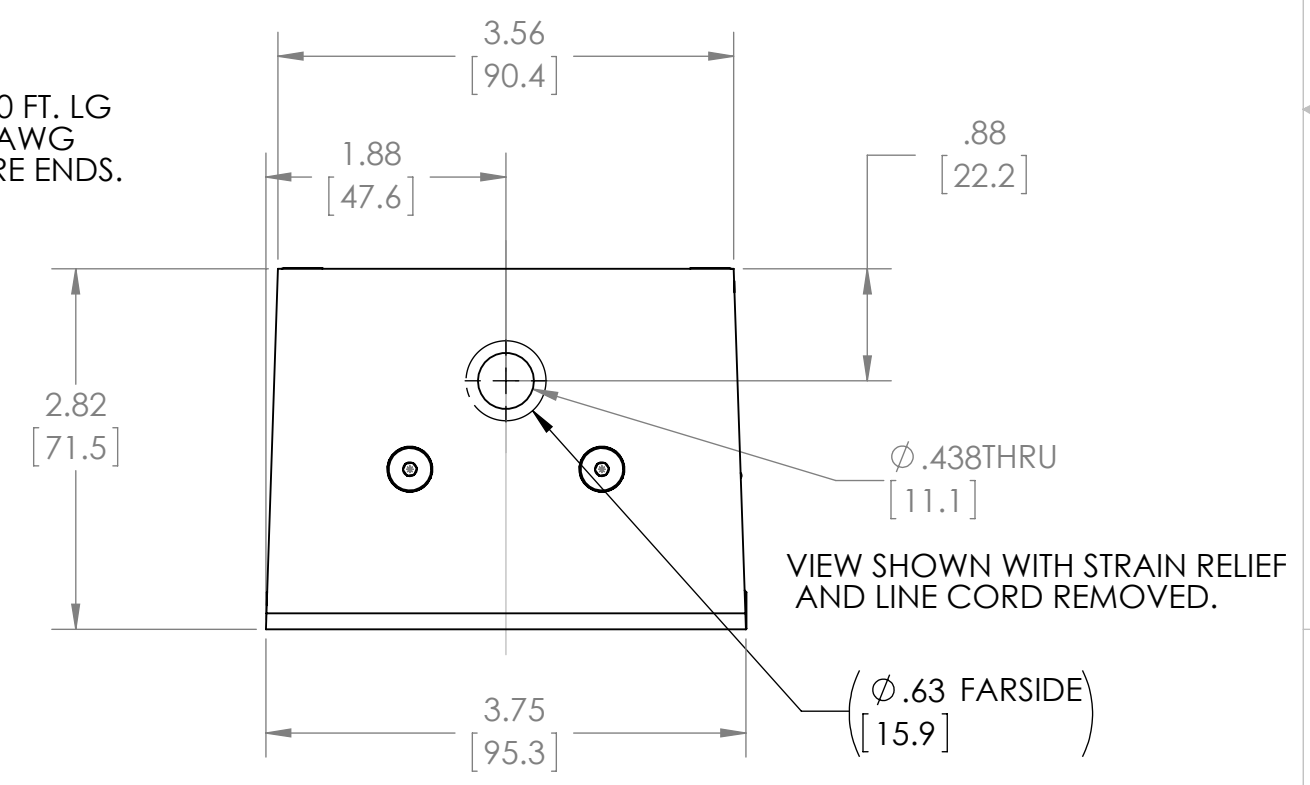


REVISIONS				
ZONE	REV.	DESCRIPTION	DATE	APPROVED



ELECTRICAL CABLE, 10 FT. LG
(4) CONDUCTOR, 22 AWG
WITH FLYING LEADWIRE ENDS.



DETAIL F
SCALE 2 : 1.5



945 East 11th Avenue Tampa, FL 33605
Phone: (813) 984-0125
Contact: Sales@pyramidimaging.com
<https://pyramidimaging.com>

PROPRIETARY AND CONFIDENTIAL
THE INFORMATION CONTAINED IN THIS DRAWING IS THE SOLE PROPERTY OF <INSERT COMPANY NAME HERE>. ANY REPRODUCTION IN PART OR AS A WHOLE WITHOUT THE WRITTEN PERMISSION OF <INSERT COMPANY NAME HERE> IS PROHIBITED.

UNLESS OTHERWISE SPECIFIED:		NAME	DATE	METAPHASE TECHNOLOGIES, INC. TITLE: FLOOD LIGHT, HIGH POWER SIZE DWG. NO. C FLD806 REV SCALE: 1:2 WEIGHT: SHEET 1 OF 1
DIMENSIONS ARE IN INCHES		DRAWN	KW	
TOLERANCES:		CHECKED		
FRACTIONAL ±		ENG APPR.		
ANGULAR: MACH ± BEND ±		MFG APPR.		
TWO PLACE DECIMAL ±		Q.A.		
THREE PLACE DECIMAL ±		COMMENTS:		
NEXT ASSY	USED ON	FINISH		
APPLICATION	DO NOT SCALE DRAWING			