



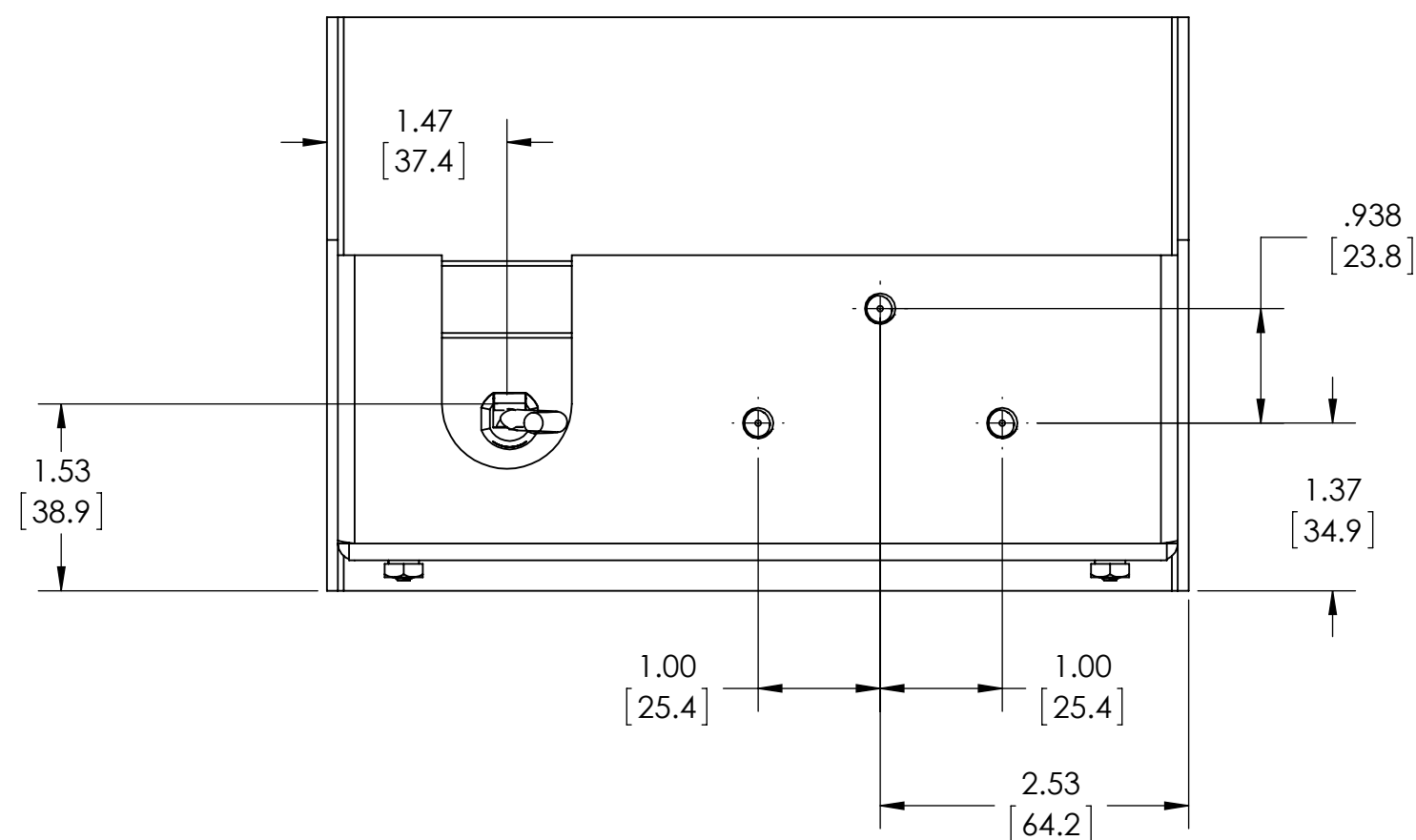
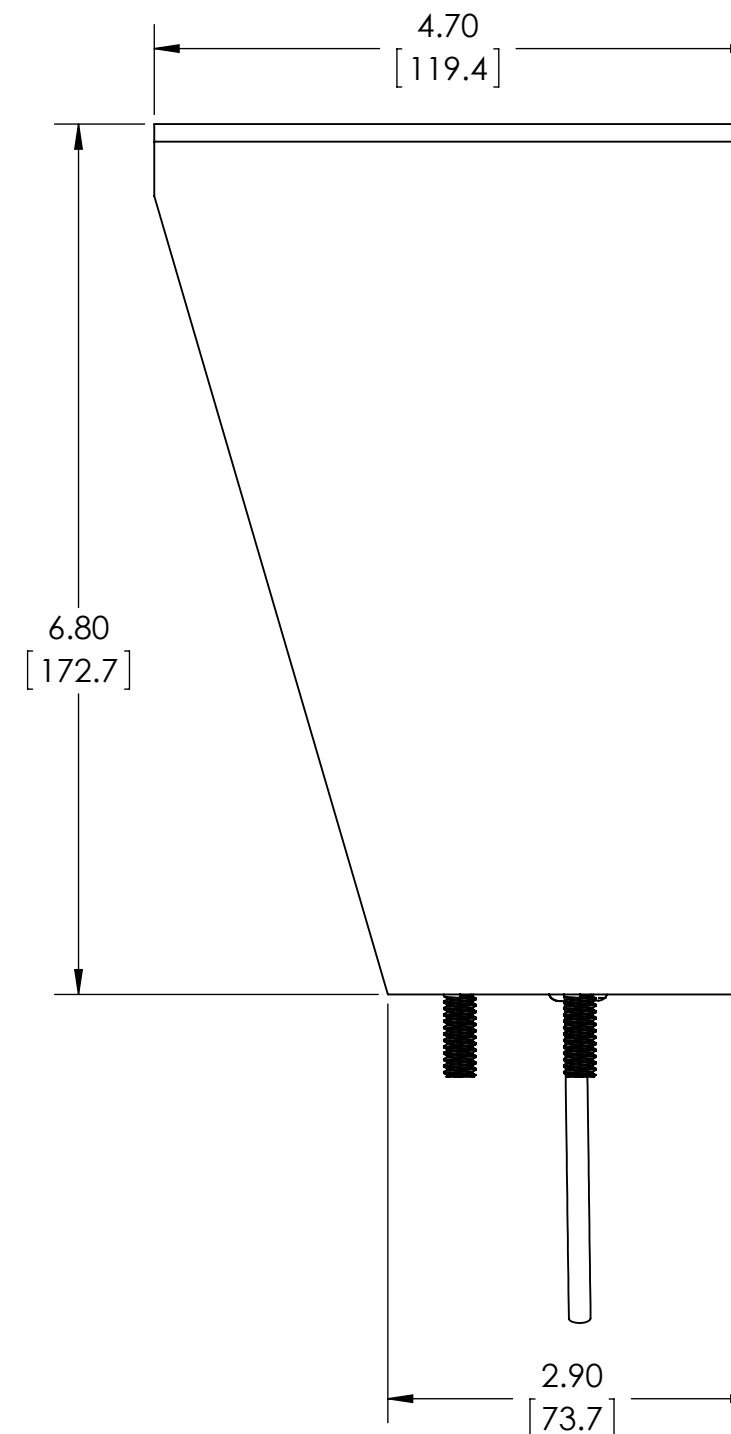
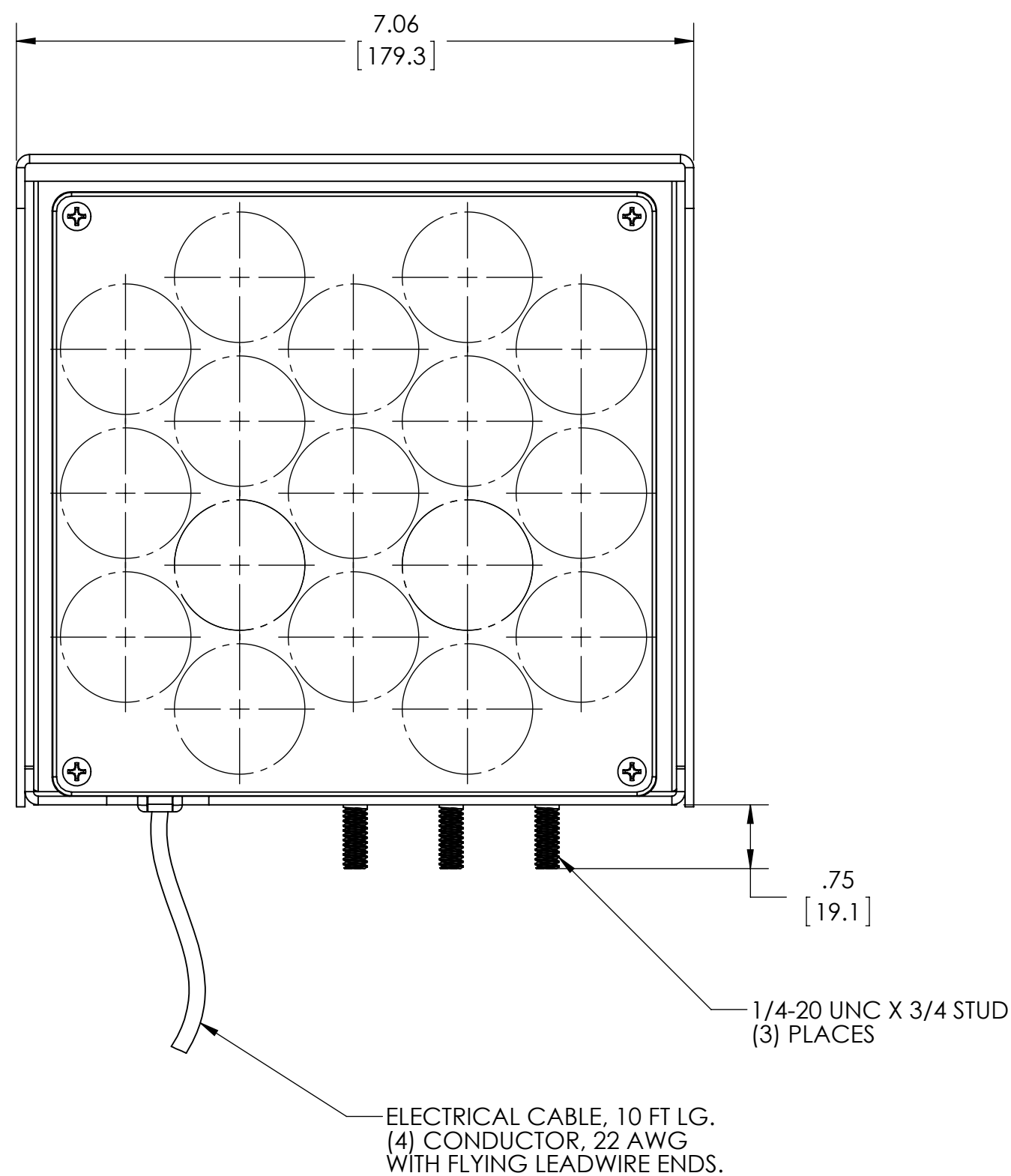
945 East 11<sup>th</sup> Avenue Tampa, FL 33605

Phone: (813) 984-0125

Contact: Sales@pyramidimaging.com

https://pyramidimaging.com

REVISIONS				
ZONE	REV.	DESCRIPTION	DATE	APPROVED



**PROPRIETARY AND CONFIDENTIAL**  
THE INFORMATION CONTAINED IN THIS DRAWING IS THE SOLE PROPERTY OF METAPHASE TECHNOLOGIES, INC. ANY REPRODUCTION IN PART OR AS A WHOLE WITHOUT THE WRITTEN PERMISSION OF METAPHASE TECHNOLOGIES, INC. IS PROHIBITED.

UNLESS OTHERWISE SPECIFIED:		NAME	DATE	METAPHASE TECHNOLOGIES, INC.
DIMENSIONS ARE IN INCHES		DRAWN	KW	4/27/2012
TOLERANCES:		CHECKED		TITLE:
FRACTIONAL ± 1/64		ENG APPR.		<b>STROBE, WIDE BEAM</b>
ANGULAR: MACH ± .5° BEND ± 2°		MFG APPR.		SIZE DWG. NO. REV
TWO PLACE DECIMAL ± .01		Q.A.		<b>C WLR605</b>
THREE PLACE DECIMAL ± .005		COMMENTS:		SCALE: NTS SHEET 1 OF 1
INTERPRET GEOMETRIC TOLERANCING PER:	MATERIAL			
FINISH				
NEXT ASSY	USED ON			
APPLICATION	DO NOT SCALE DRAWING			