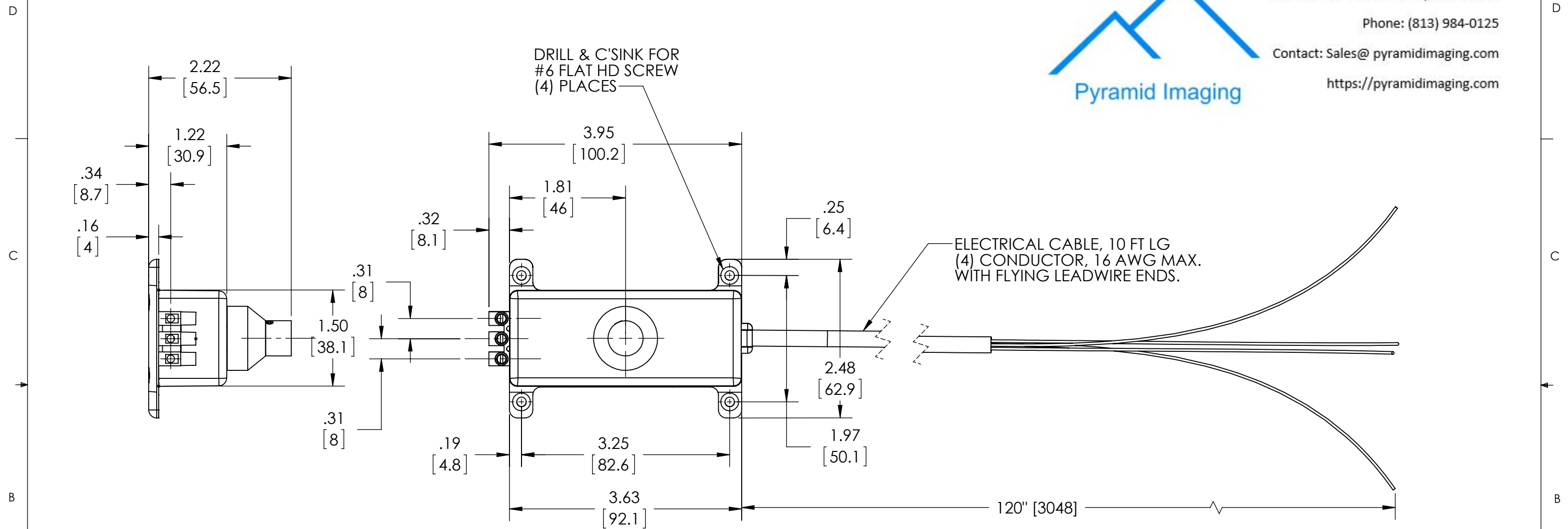


REVISIONS				
ZONE	REV.	DESCRIPTION	DATE	APPROVED



945 East 11th Avenue Tampa, FL 33605
 Phone: (813) 984-0125
 Contact: Sales@pyramidimaging.com
<https://pyramidimaging.com>



NOTES: UNLESS OTHERWISE SPECIFIED

- INPUT VOLTAGE: 24 VDC.
- STORAGE TEMPERATURE: -40 TO 125°C.
- OPERATING TEMPERATURE: 0 TO +70°C.
- HOUSING MATERIAL: CAST ALUMINUM.
- WEIGHT: 80 gms. [2.5 OZS].
- SIZE:
- ANALOG INTENSITY: ADJUSTABLE BRITGHTNESS BY 0-10 VDC SIGNAL.

PROPRIETARY AND CONFIDENTIAL
 THE INFORMATION CONTAINED IN THIS DRAWING IS THE SOLE PROPERTY OF <INSERT COMPANY NAME HERE>. ANY REPRODUCTION IN PART OR AS A WHOLE WITHOUT THE WRITTEN PERMISSION OF <INSERT COMPANY NAME HERE> IS PROHIBITED.

		UNLESS OTHERWISE SPECIFIED:	NAME	DATE	METAPHASE TECHNOLOGIES, INC.	
		DIMENSIONS ARE IN INCHES	DRAWN	KW	8/7/2012	TITLE: IN LINE DIMMER ASSEMBLY ILD-10 AND ILD-15
		TOLERANCES:	CHECKED			
		FRACTIONAL ± 1/64	ENG APPR.			
		ANGULAR: MACH ± 1/2° BEND ± 2°	MFG APPR.			
		TWO PLACE DECIMAL ± .01	Q.A.			SIZE DWG. NO. REV B ILD250
		THREE PLACE DECIMAL ± .005	COMMENTS:			
	ILD-15-24-L	INTERPRET GEOMETRIC TOLERANCING PER:				SCALE: 1:5 WEIGHT: SHEET 1 OF 1
	ILD-10-24-L	MATERIAL				
NEXT ASSY	USED ON	FINISH				
APPLICATION		DO NOT SCALE DRAWING				