

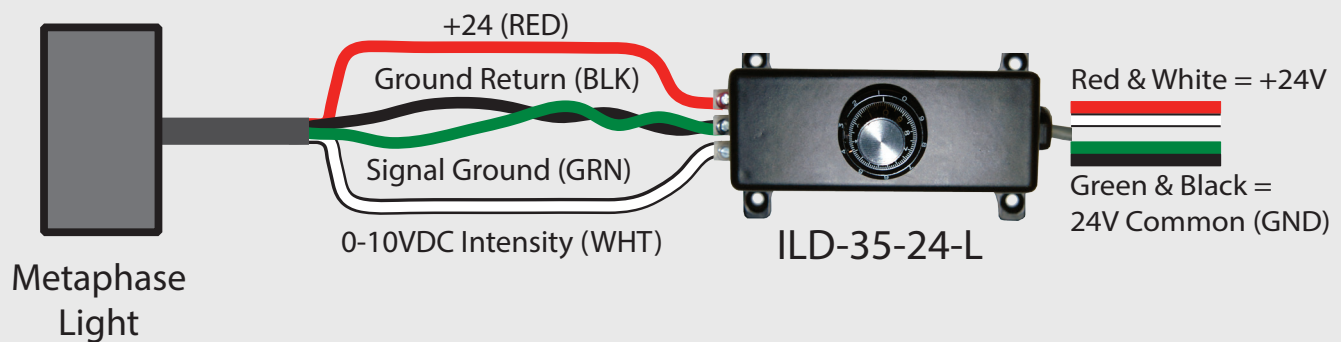
IN-LINE DIMMER

Model: ILD-35-24-L

For use with most **MetaBright** lights



1. (RED) +24
2. (BLK) Ground
3. (WHT) Single 0-10VDC Intensity Control



NOTES

-For the Metaphase lights that draw more than 3 amps, connect all the light's +24V wires (typically RED) directly to +24VDC (not to the dimmer) and Gnd wires (typically black) directly to common of the 24VDC supply. Still connect the light's 0-10VDC intensity control wire (typically white wire) and the intensity control ground (call Signal ground and typically a green wire) to the dimmer as shown.

-Dimmer itself draws less than 100ma

-Also, up where it has "1. (RED) +24, change to "1. +24VDC (RED) for 3amp or less lights

-Change 2 to "2. Ground (Green and Black)"



-L in the model number stands for ten turn precision lock-in knob



945 East 11th Avenue Tampa, FL 33605

Phone: (813) 984-0125

Contact: Sales@pyramidimaging.com

<https://pyramidimaging.com>