

MODEL SSI-103VCPM: STROBE MODULE



945 East 11th Avenue Tampa, FL 33605

Phone: (813) 984-0125

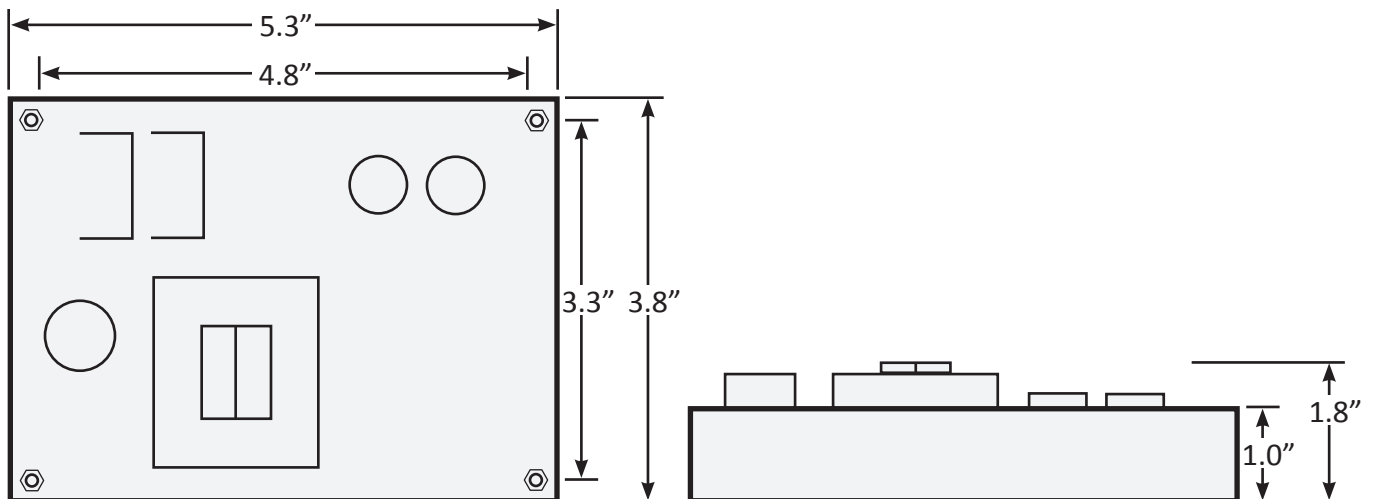
Contact: Sales@pyramidimaging.com

<https://pyramidimaging.com>

Specifications:

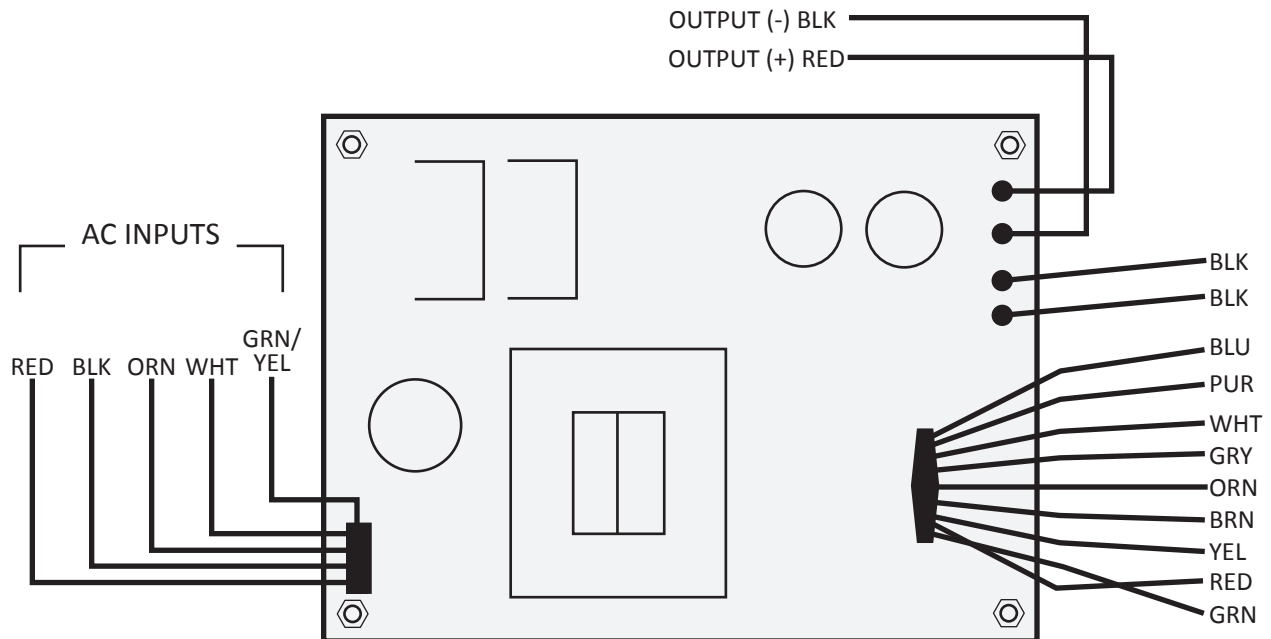
Output Current:	8.5 Amps
Output Voltage:	Adjustable 8-23.5V
Voltage Control (for intensity adjustment):	Two ranges 0-5V and 0-10V (user selectable)
Voltage control input impedance:	20 kohm
Maximum input voltage:	+20V, -10V
Voltage control input cutoff frequency:	7 Hz
Pulsewidth:	Adjustable 10-350 usec (shorter or longer pulsewidths available, consult Metaphase for details)
Pulsewidth Repetition Rate:	0-60 Hz (external trigger)
Internal Test PRF:	30Hz
Input Voltage:	120/240 VAC +/-10%; 50/60 Hz
Power Consumption:	Less than 20 Watts
Operating Temp. Range:	0 to 40 deg. C
Storage Temp. Range:	-20 to 85 deg. C
External Trigger:	TTL Compatible; Rising or Falling Edge, Open Collector
Synchronization Output:	TTL Positive-going; pulsewidth same as optical pulse
Output Protection:	Resettable fuse for short across output terminals or from either terminal to ground

Mechanical Dimensions:



- THREADED INSERTS (4) ARE 6-32, 1" LENGTH

MODEL SSI-103VCPM: STROBE MODULE



AC INPUTS:

RED (RED)
BLACK (BLK)
ORANGE (ORN)
WHITE (WHT)
GREEN/YELLOW (GRN/YEL)

OUTPUTS:

RED (RED) POSITIVE (+) OUT TO LEDs
BLACK (BLK) NEGATIVE (-) OUT TO LEDs

TRIGGER/SYNC I/O:

BLACK (BLK)	GROUND
BLACK (BLK)	GROUND
BLUE (BLU)	SYNC OUTPUT (TTL-SAME WIDTH AS OUTPUT PULSE)
PURPLE (PUR)	TRIGGER INPUT (TTL)
WHITE (WHT)	INVERTER INPUT (TTL)
GRAY (GRY)	INVERTER OUTPUT (TTL)
ORANGE (ORN)	INTERNAL REPETITION RATE GENERATOR OUTPUT (TTL)
BROWN (BRN)	RANGE SELECT (FOR CONTROL USAGE)
YELLOW (YEL)	CONTROL VOLTAGE INPUT
RED (RED)	+5 V OUT (FOR PULSEWIDTH POTENTIOMETER)
GREEN (GRN)	PULSEWIDTH POTENTIOMETER



945 East 11th Avenue Tampa, FL 33605

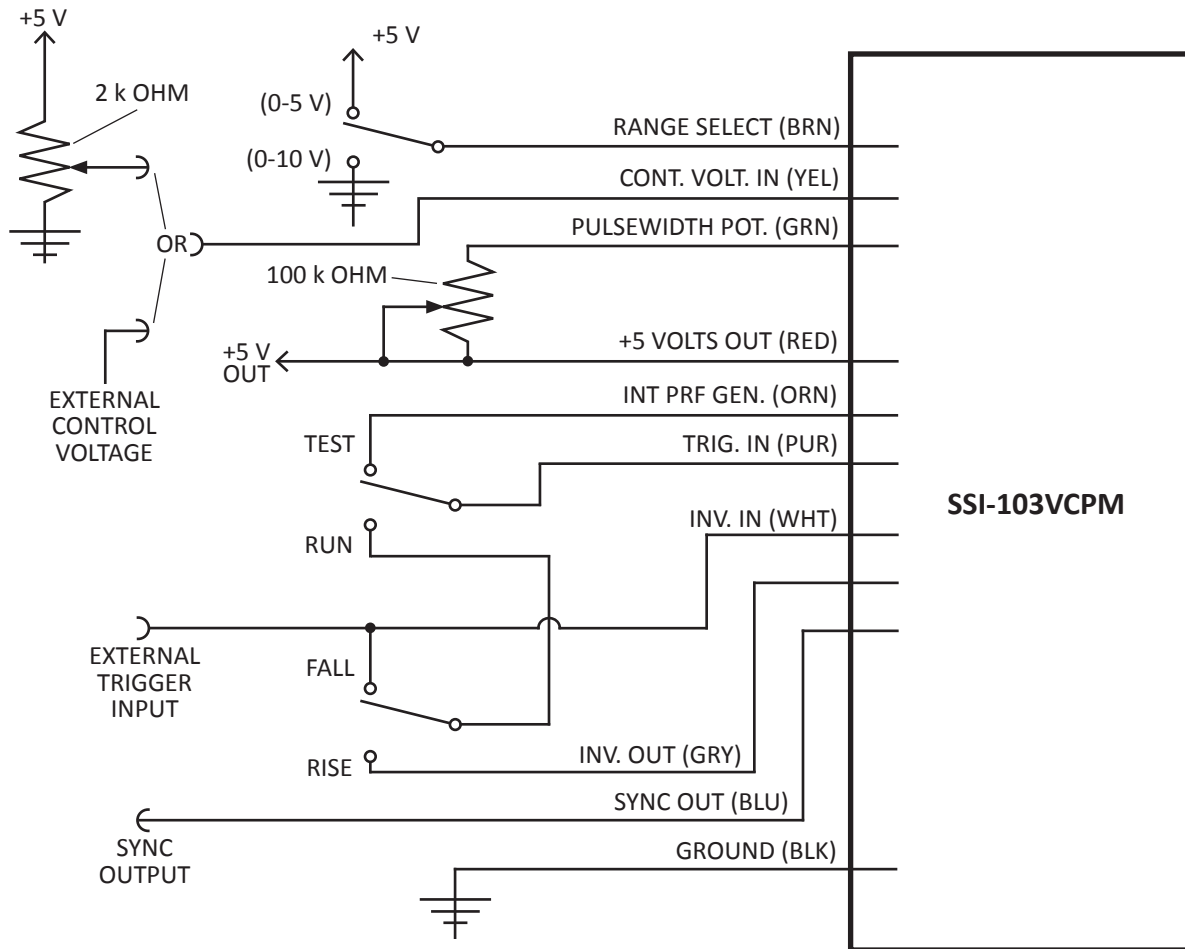
Phone: (813) 984-0125

Contact: Sales@pyramidimaging.com

<https://pyramidimaging.com>

MODEL SSI-103VCPM: STROBE MODULE

TRIGGER/ INTERFACE CONNECTION



945 East 11th Avenue Tampa, FL 33605

Phone: (813) 984-0125

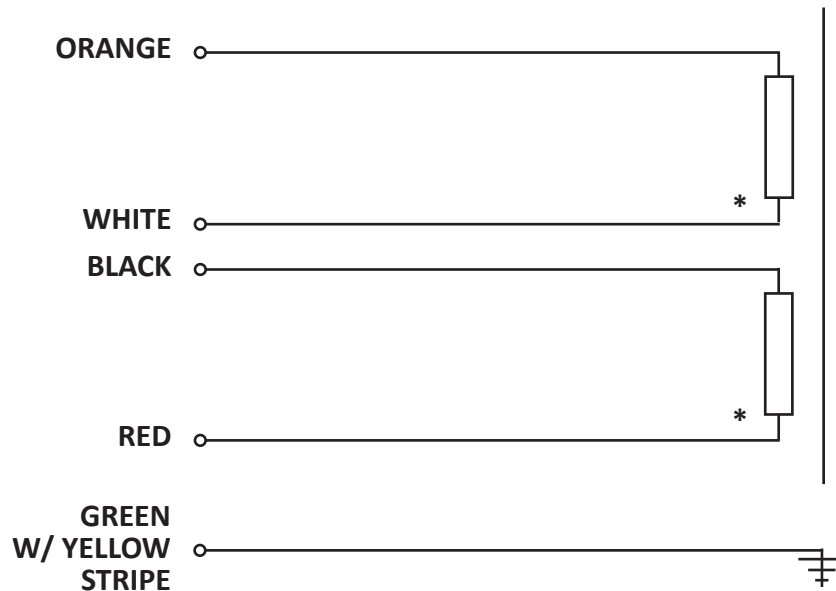
Contact: Sales@pyramidimaging.com

<https://pyramidimaging.com>

MODEL SSI-103VCPM: STROBE MODULE

HOOKUP INSTRUCTIONS / CAUTIONS (FOR SSI-103PM and SSI-103VCPM)

AC CONNECTIONS:



FOR 120 VAC OPERATION: CONNECT THE BLACK AND ORANGE WIRES TOGETHER, THEN TO ONE SIDE OF AC LINE. CONNECT THE RED AND WHITE WIRES TOGETHER, THEN TO THE OTHER SIDE OF AC LINE.

FOR 220 VAC OPERATION: CONNECT THE BLACK AND WHITE WIRES TOGETHER. CONNECT ORANGE TO ONE SIDE OF THE AC LINE, AND RED TO THE OTHER SIDE OF THE AC LINE.

*** CAUTION *:**

BOTH OUTPUT TERMINALS (+ AND -) ARE FLOATING!! **DO NOT** GROUND EITHER OUTPUT. THE OUTPUT VOLTAGE CAN BE OBSERVED WITH A TWO-CHANNEL OSCILLOSCOPE IN DIFFERENTIAL MODE (CH1 – CH2).

GROUNDING OR SHORTING THE OUTPUTS WILL NOT HARM THE UNIT (THE RESETTABLE FUSE WILL TRIP) **BUT DAMAGE TO A CONNECTED LOAD MAY OCCUR.**

NOTE:

THE MODULE PROVIDES TWO GROUNDS WHICH CAN BE USED FOR CONTROL GROUND **OR** SHIELD GROUND (IF SHIELDED CABLE IS USED FOR OUTPUT CONNECTIONS). **DO NOT** USE A SINGLE GROUND FOR CONTROL **AND** SHIELD GROUND! CAPACITIVE CURRENTS IN THE SHIELD MAY CAUSE FALSE TRIGGERING!



945 East 11th Avenue Tampa, FL 33605

Phone: (813) 984-0125

Contact: Sales@pyramidimaging.com

<https://pyramidimaging.com>