

# MODEL SSI-104VCPM: STROBE MODULE



945 East 11<sup>th</sup> Avenue Tampa, FL 33605

Phone: (813) 984-0125

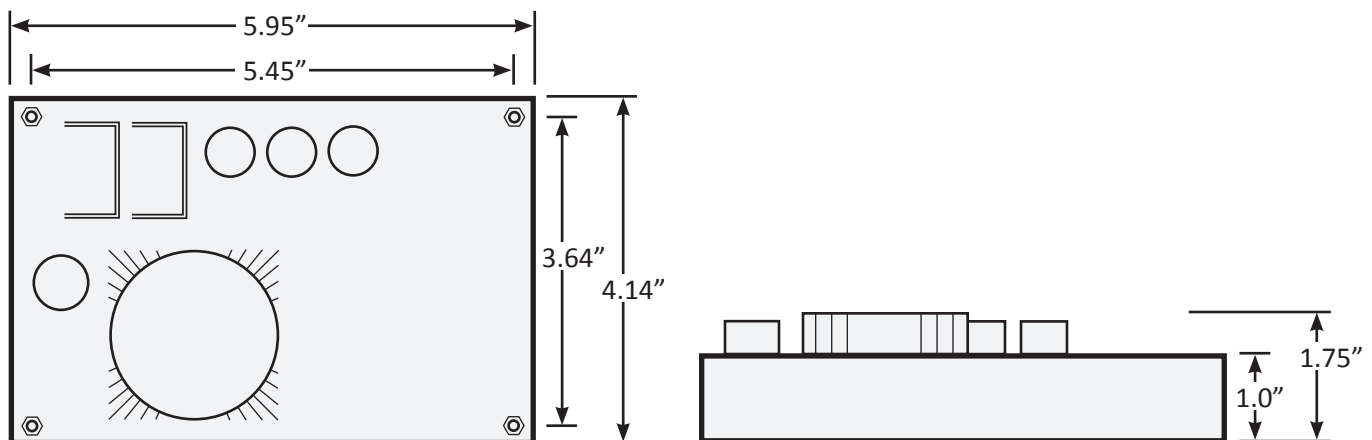
Contact: Sales@pyramidimaging.com

<https://pyramidimaging.com>

## Specifications:

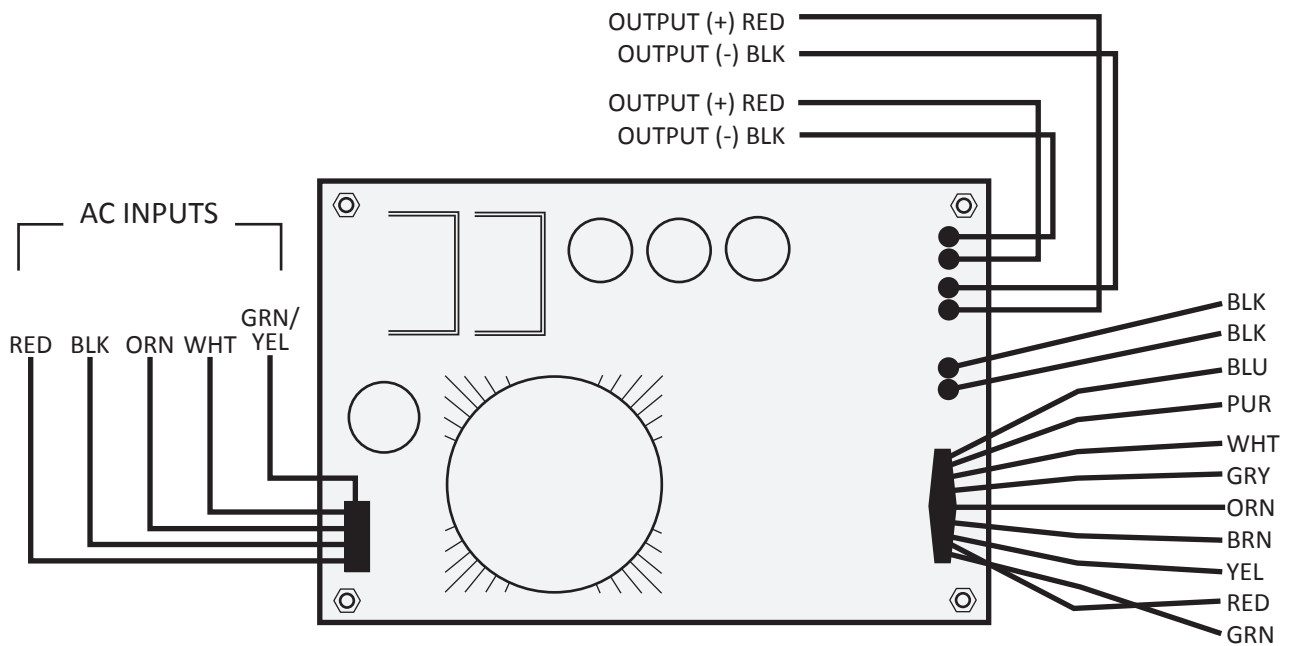
<b>Output Current:</b>	16.5 Amps
<b>Output Voltage:</b>	Adjustable 8-23.5V
<b>Voltage Control (for intensity adjustment):</b>	Two ranges 0-5V and 0-10V (user selectable)
<b>Voltage control input impedance:</b>	20 kohm
<b>Maximum input voltage:</b>	+20V, -10V
<b>Voltage control input cutoff frequency:</b>	7 Hz
<b>Pulsewidth:</b>	10-350 usec (user adjustable)
<b>Pulsewidth Repetition Rate:</b>	0-60 Hz (external trigger)
<b>Internal Test PRF:</b>	30Hz
<b>Input Voltage:</b>	120/240 VAC +/-10%; 50/60 Hz
<b>Power Consumption:</b>	Less than 30 Watts
<b>Operating Temp. Range:</b>	0 to 40 deg. C
<b>Storage Temp. Range:</b>	-20 to 85 deg. C
<b>External Trigger:</b>	TTL Compatible; Rising or Falling Edge, Open Collector
<b>Synchronization Output:</b>	TTL Positive-going; pulsewidth same as optical pulse
<b>Output Protection:</b>	Resettable fuse for short across output terminals or from either terminal to ground

## Mechanical Dimensions:



- THREADED INSERTS (4) ARE 6-32, 1" LENGTH

# MODEL SSI-104VCPM: STROBE MODULE



## AC INPUTS:

RED (RED)  
BLACK (BLK)  
ORANGE (ORN)  
WHITE (WHT)  
GREEN/YELLOW (GRN/YEL)

## OUTPUTS:

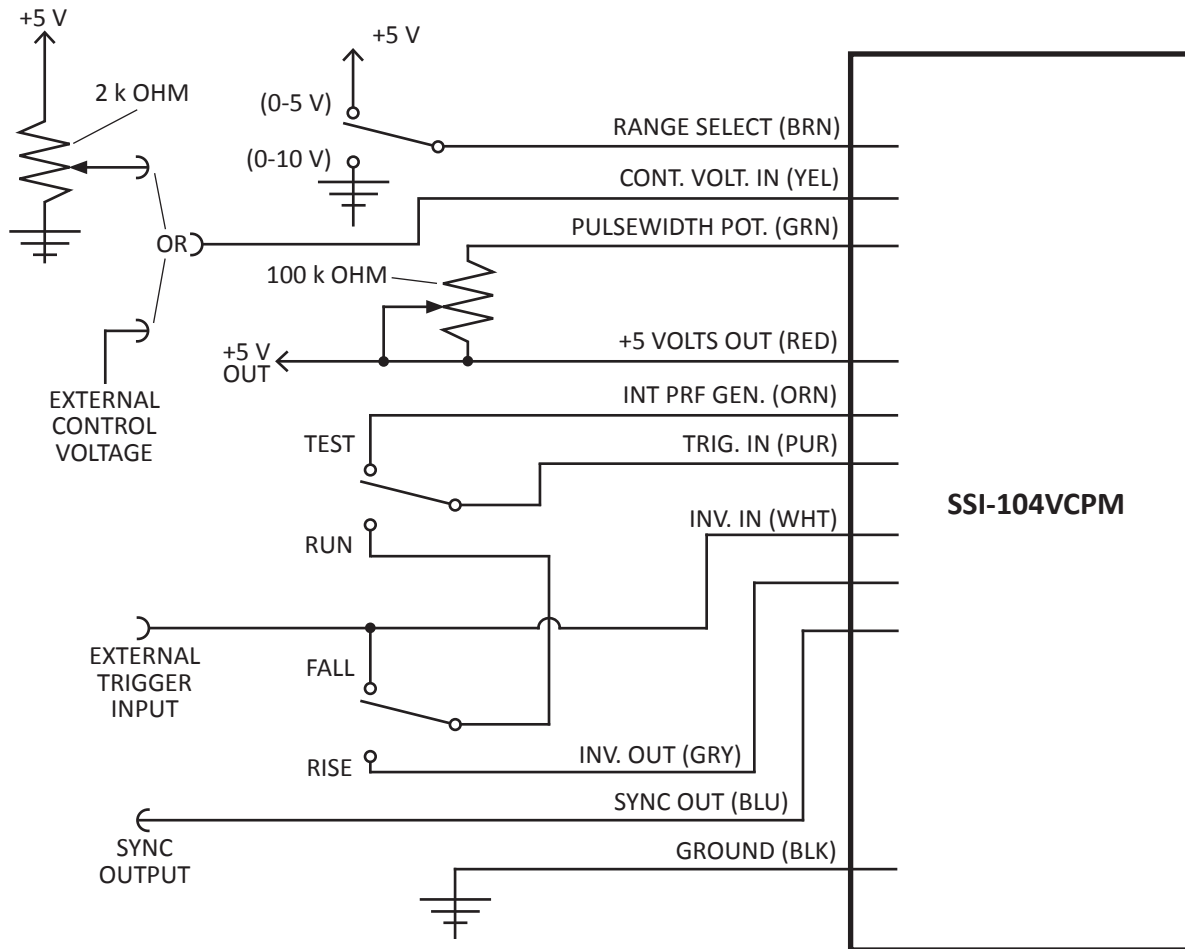
RED (RED)	(Qty 2)	POSITIVE (+) OUT TO LEDs
BLACK (BLK)	(Qty 2)	NEGATIVE (-) OUT TO LEDs

## TRIGGER/SYNC I/O:

BLACK (BLK)	GROUND
BLACK (BLK)	GROUND
BLUE (BLU)	SYNC OUTPUT (TTL-SAME WIDTH AS OUTPUT PULSE)
PURPLE (PUR)	TRIGGER INPUT (TTL)
WHITE (WHT)	INVERTER INPUT (TTL)
GRAY (GRY)	INVERTER OUTPUT (TTL)
ORANGE (ORN)	INTERNAL REPETITION RATE GENERATOR OUTPUT (TTL)
BROWN (BRN)	RANGE SELECT (FOR CONTROL USAGE)
YELLOW (YEL)	CONTROL VOLTAGE INPUT
RED (RED)	+5 V OUT (FOR PULSEWIDTH POTENTIOMETER)
GREEN (GRN)	PULSEWIDTH POTENTIOMETER

# MODEL SSI-104VCPM: STROBE MODULE

## TRIGGER/ INTERFACE CONNECTION



945 East 11<sup>th</sup> Avenue Tampa, FL 33605

Phone: (813) 984-0125

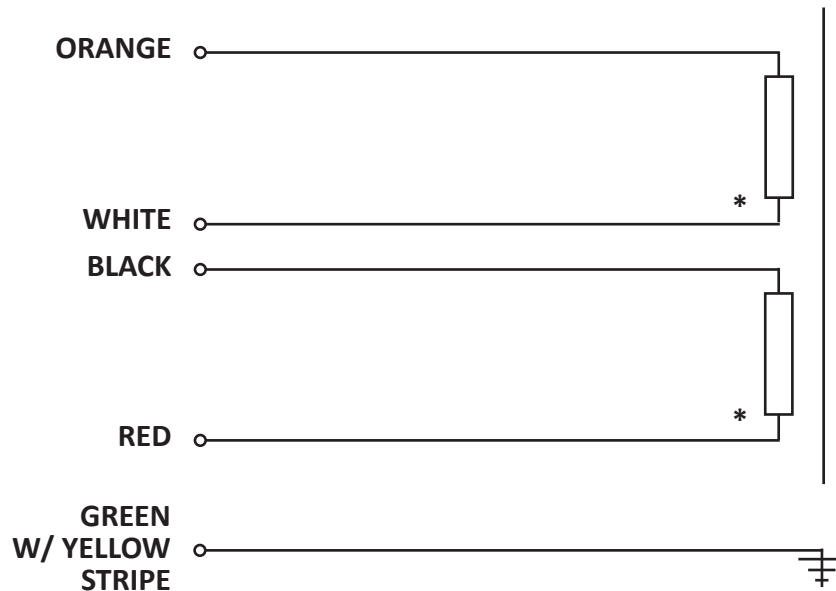
Contact: Sales@pyramidimaging.com

<https://pyramidimaging.com>

# MODEL SSI-104VCPM: STROBE MODULE

## HOOKUP INSTRUCTIONS / CAUTIONS (FOR SSI-103PM and SSI-103VCPM)

### AC CONNECTIONS:



**FOR 120 VAC OPERATION:** CONNECT THE BLACK AND ORANGE WIRES TOGETHER, THEN TO ONE SIDE OF AC LINE. CONNECT THE RED AND WHITE WIRES TOGETHER, THEN TO THE OTHER SIDE OF AC LINE.

**FOR 220 VAC OPERATION:** CONNECT THE BLACK AND WHITE WIRES TOGETHER. CONNECT ORANGE TO ONE SIDE OF THE AC LINE, AND RED TO THE OTHER SIDE OF THE AC LINE.

### **\* CAUTION \*:**

BOTH OUTPUT TERMINALS (+ AND -) ARE FLOATING!! **DO NOT** GROUND EITHER OUTPUT. THE OUTPUT VOLTAGE CAN BE OBSERVED WITH A TWO-CHANNEL OSCILLOSCOPE IN DIFFERENTIAL MODE (CH1 – CH2).

GROUNDING OR SHORTING THE OUTPUTS WILL NOT HARM THE UNIT (THE RESETTABLE FUSE WILL TRIP) **BUT DAMAGE TO A CONNECTED LOAD MAY OCCUR.**

### **NOTE:**

THE MODULE PROVIDES TWO GROUNDS WHICH CAN BE USED FOR CONTROL GROUND **OR** SHIELD GROUND (IF SHIELDED CABLE IS USED FOR OUTPUT CONNECTIONS). **DO NOT** USE A SINGLE GROUND FOR CONTROL **AND** SHIELD GROUND! CAPACITIVE CURRENTS IN THE SHIELD MAY CAUSE FALSE TRIGGERING!



945 East 11<sup>th</sup> Avenue Tampa, FL 33605

Phone: (813) 984-0125

Contact: Sales@pyramidimaging.com

<https://pyramidimaging.com>