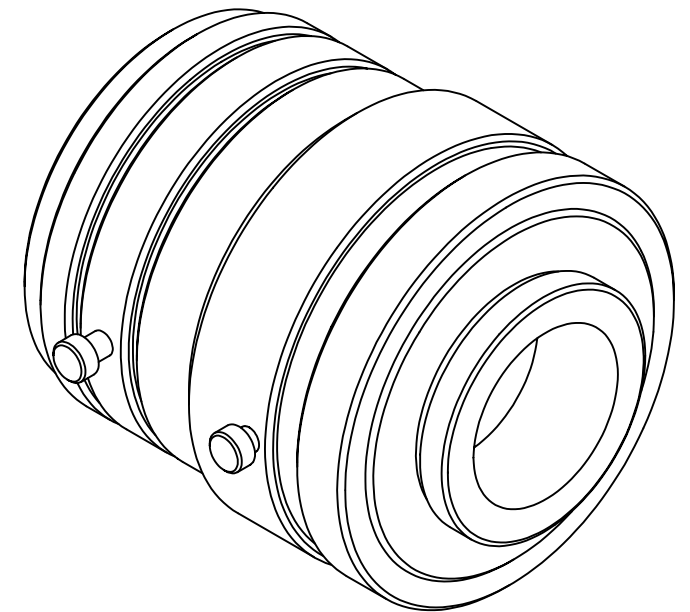


1-32 UN - 2A
FOR C - MOUNT
CAMERA



Lens Specifications - NMV - 25

Specifications	Value	1/2"	1/3"
Focal Length	f = 25mm		
Maximum diameter (Ratio)	F = 1.4:1 ~ 16 ~ Close		
Picture Size	12.8 x 9.6mm	8.8 x 6.6mm	6.4 x 4.8mm
Angle - Vertical	22.0 deg.	15.1deg.	11.0 deg.
Horizontal	29.3deg.	20.2 deg.	14.7deg.
Diagonal	36.6 deg.	25.2deg	18.3 deg.
Distortion (TV)	-1.0%	-0.5%	-0.3%
Minimum Focus Distance	0.3m		
Flange Back	17.526mm in air		
Back Focus	16.5mm in air		
Filter Screw Size	M35.5 x 0.5		
Effective Diameter - Front	21.0mm dia.		
- Rear	19.4mm dia.		
Mount	C-Mount		
Exit Pupil	-57.8mm dia.		
Temperature Range	- 10 ~ + 45 deg. C		
Strong Temperature Range	- 40 ~ + 60 deg. C		



945 East 11th Avenue Tampa, FL 33605

Phone: (813) 984-0125

Contact: Sales@ pyramidimaging.com

<https://pyramidimaging.com>