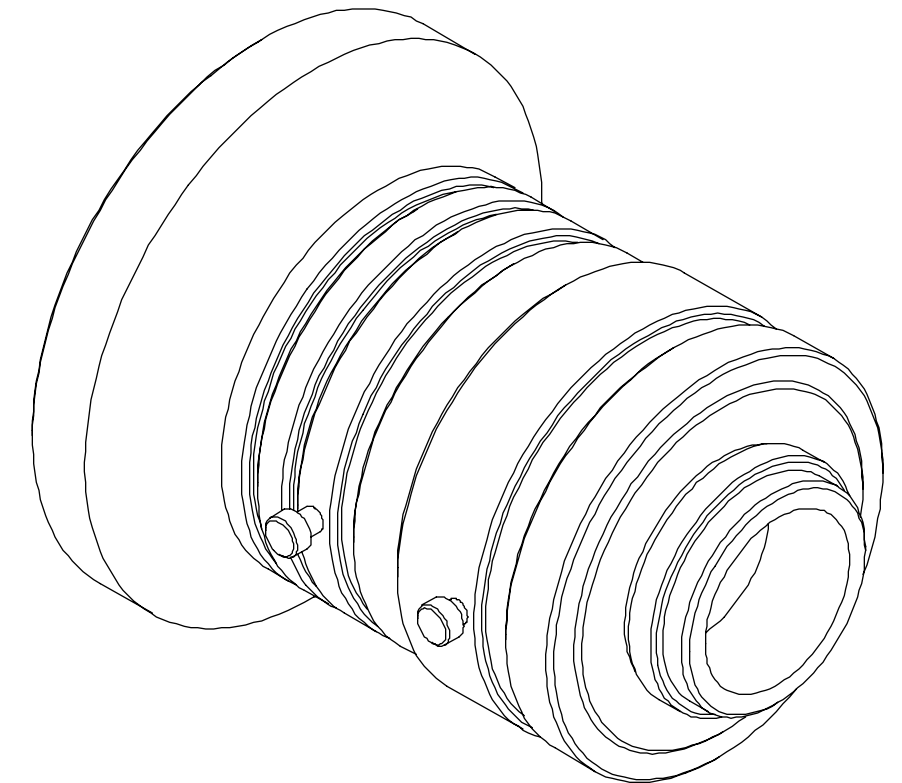
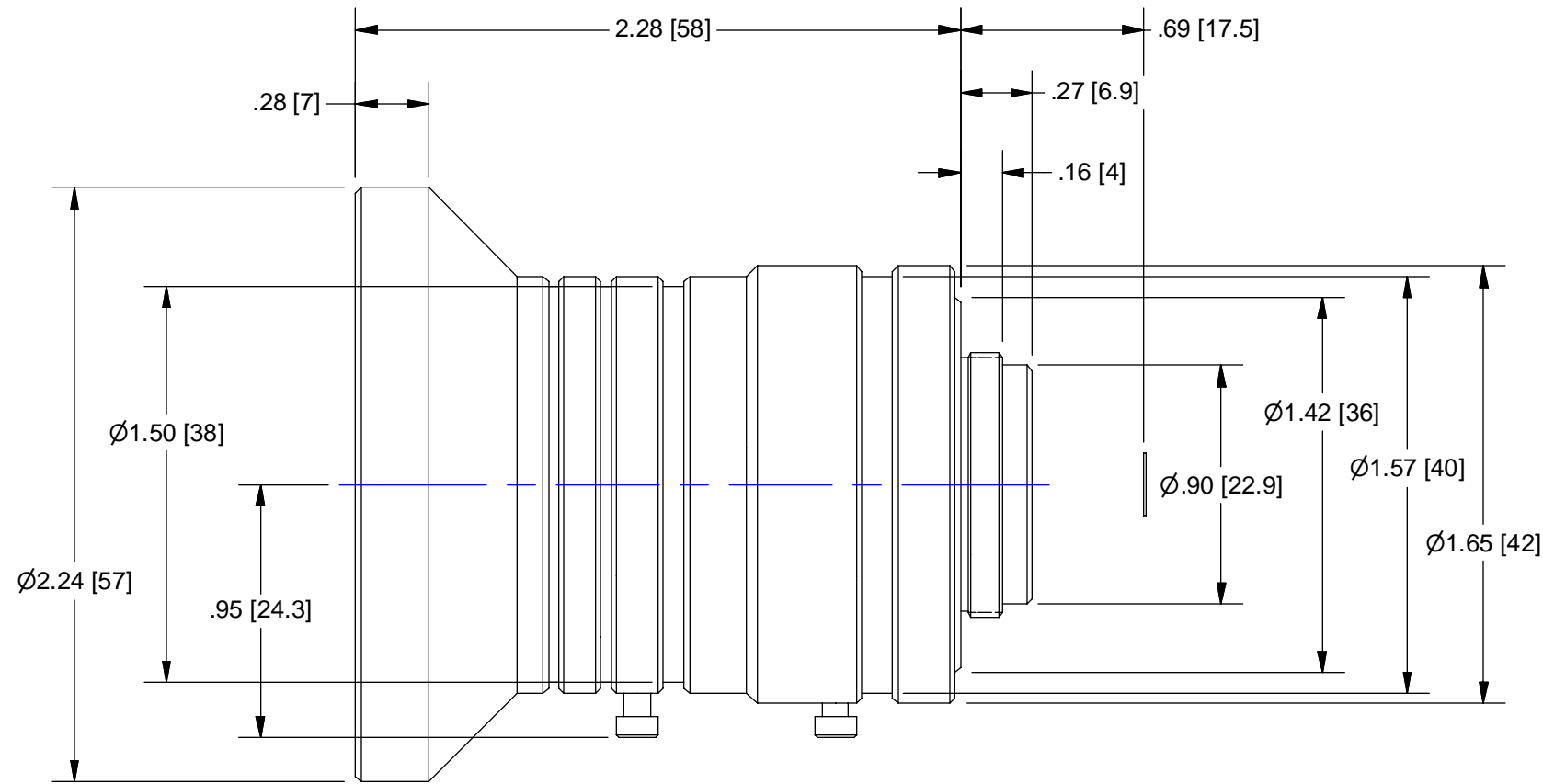

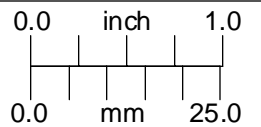


Pyramid Imaging, Inc.
 945 East 11th Avenue
 Tampa, FL 33605
 sales@pyramidimaging.com
 www.pyramidimaging.com
 813-786-3785



OUTLINE

Lens Specifications - NMV-8M1			
Specifications	Value	2/3"	1/2"
Focal Length	f = 8mm		
Maximum diameter (Ratio)	F = 1.4:1 ~ 16		
Picture Size	12.8x9.6mm	8.8x6.6mm	6.4x4.8 mm
Angle - Vertical	63.0 deg.	44.7 deg.	32.9 deg.
Horizontal	79.7deg.	58.3 deg.	43.4 deg.
Diagonal	92.4 deg.	70.7 deg.	53.5 deg.
Distortion	-1.2%	-1.6%	-1.0%
Minimum Focus Distance	0.1m		
Flange Back	17.526mm in air		
Back Focus	11.2mm in air		
Filter Screw Size	M55x0.75		
Effective Diameter - Front	37.4mm dia.		
- Rear	17.5mm dia.		
Mount	C-Mount		
Exit Pupil	-45.9mm dia.		
Temperature Range	- 10 ~ + 45 deg. C		
Strong Temperature Range	- 40 ~ + 60 deg. C		

UNLESS OTHERWISE SPECIFIED DIMENSIONS ARE IN INCHES AND INCLUDE CHEMICALLY APPLIED OR PLATED FINISHES	THE CONTENTS OF THIS DOCUMENT ARE PROPRIETARY TO NAVITAR. ITS USE IS AUTHORIZED ONLY FOR RESPONDING TO REQUEST FOR QUOTATION OR PERFORMANCE OF WORK FOR NAVITAR	 ROCHESTER, NEW YORK	
PROJECT #: E2338 DATE DR: 7/13/2007		LENS, 8.0mm FL, , 1.0", f/1.4	
DO NOT SCALE DRAWING 		SIZE B	REV A
		NMV - 8M1 SHEET 1 OF 1	