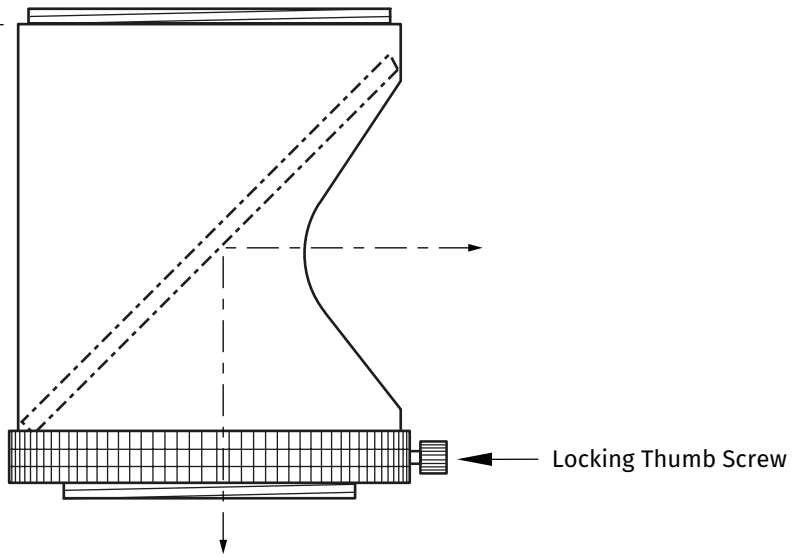


Rotating Right Angle Assembly

Adjustable through 300°, the assembly locks into position with a thumb screw to guard against moving out of line by vibration or other means. It threads onto lenses from M46 on up by means of a Step Ring, or onto similar sized unthreaded lenses by using a Slip Mount.



Pyramid Imaging, Inc.
 945 East 11th Avenue
 Tampa, FL 33605
 www.pyramidimaging.com
 sales@pyramidimaging.com
 +1 813 984 0125

