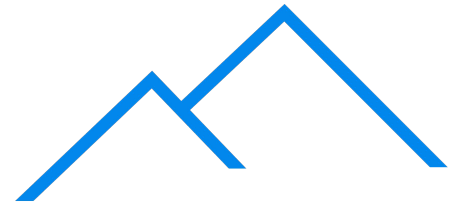
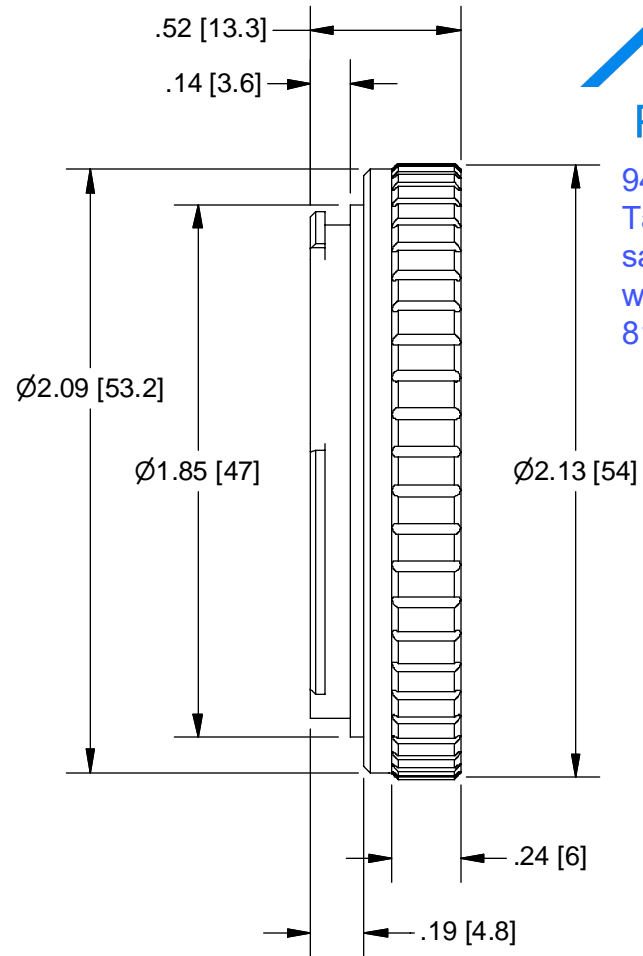


SCALE 1 : 1



**Pyramid Imaging**

945 East 11th Avenue  
 Tampa, FL 33605  
[sales@pyramidimaging.com](mailto:sales@pyramidimaging.com)  
[www.pyramidimaging.com](http://www.pyramidimaging.com)  
 813-984-0125

# OUTLINE

UNLESS OTHERWISE SPECIFIED DIMENSIONS ARE IN INCHES AND INCLUDE CHEMICALLY APPLIED OR PLATED FINISHES		THE CONTENTS OF THIS DOCUMENT ARE PROPRIETARY TO NAVITAR. ITS USE IS AUTHORIZED ONLY FOR RESPONDING TO REQUEST FOR QUOTATION OR PERFORMANCE OF WORK FOR NAVITAR				
SCALE:	1.5:1	0.0 inch 1.0				
WEIGHT:	.05#	0.0 mm 25.0		ADAPTER, CAMERA, T-F MOUNT		
DR:	BE	DO NOT SCALE DRAWING				
CH:	R. PODLENA			SIZE	1-17482	
PROJECT #:	E2183			A		REV
DATE DR:	7/27/2006				SHEET 1 OF 1	A