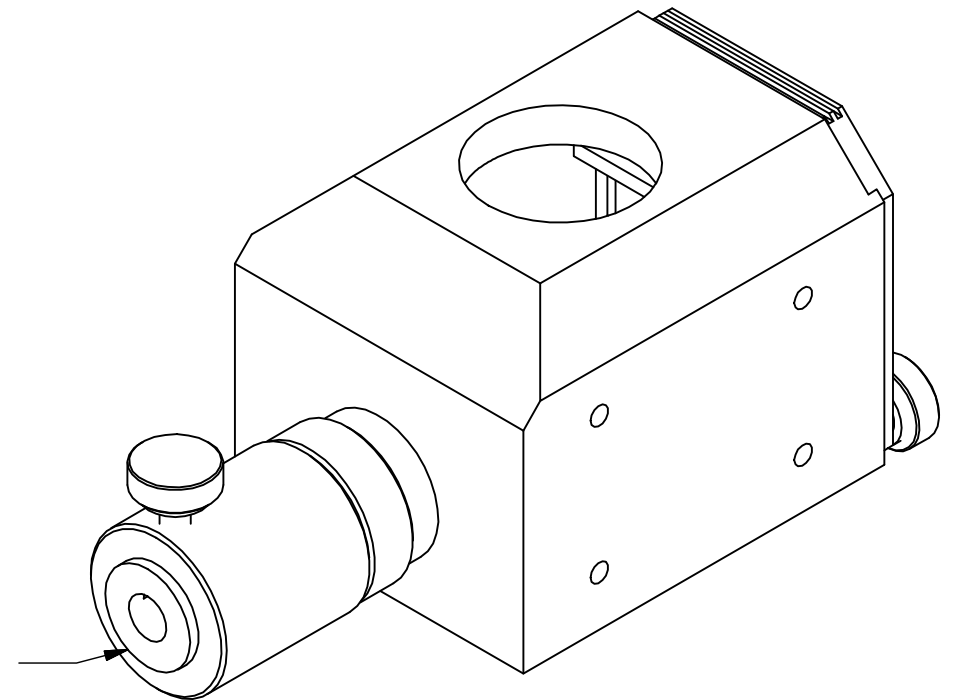


SHOWN AS REFERENCE:
 Ø8mm LIGHT PIPE BUSHING
 Ø7mm UV LIGHT GUIDE BUSHING
 PACKAGED SEPARATELY



OUTLINE



945 East 11th Avenue Tampa, FL 33605
 Phone: (813) 984-0125
 Contact: Sales@pyramidimaging.com
<https://pyramidimaging.com>

UNLESS OTHERWISE SPECIFIED
 DIMENSIONS ARE IN INCHES AND
 INCLUDE CHEMICALLY APPLIED
 OR PLATED FINISHES

SCALE: 1:1

WEIGHT: 0.76 lbmass

DR: BE

CH: PB

PROJECT #:

DATE DR: 2/13/2003

THE CONTENTS OF THIS
 DOCUMENT ARE PROPRIETARY
 TO NAVITAR, ITS USE IS
 AUTHORIZED ONLY FOR
 RESPONDING TO REQUEST FOR
 QUOTATION OR PERFORMANCE
 OF WORK FOR NAVITAR

0.0 inch 1.0

0.0 mm 25.0

DO NOT SCALE DRAWING



ZFL BEAMSPLITTER HOUSING ASSEMBLY

SIZE	1-15800	REV
B	D	D
SHEET 2 OF 2		