

NA = 0.14
 WD = 34.0mm

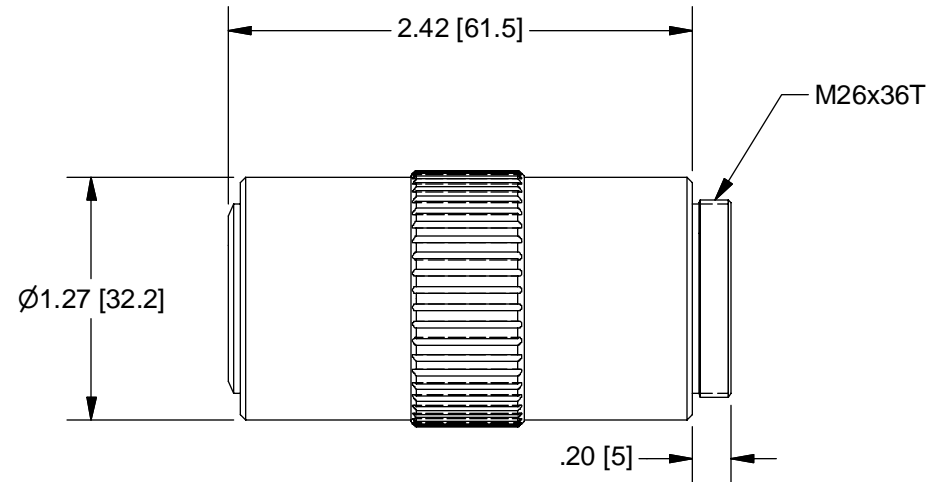


945 East 11th Avenue Tampa, FL 33605

Phone: (813) 984-0125

Contact: Sales@pyramidimaging.com

<https://pyramidimaging.com>



OUTLINE

UNLESS OTHERWISE SPECIFIED DIMENSIONS ARE IN INCHES AND INCLUDE CHEMICALLY APPLIED OR PLATED FINISHES		THE CONTENTS OF THIS DOCUMENT ARE PROPRIETARY TO NAVITAR, ITS USE IS AUTHORIZED ONLY FOR RESPONDING TO REQUEST FOR QUOTATION OR PERFORMANCE OF WORK FOR NAVITAR					
SCALE:	1:1	0.0 inch 1.0 0.0 mm 25.0 				OBJECTIVE, 5X, M-PLAN, APO	
WEIGHT:	200 grams			DO NOT SCALE DRAWING			
DR:	DJM			A	SHEET 2 OF 2		
CH:	PB						
PROJECT #:							
DATE DR:	6/23/2003						