



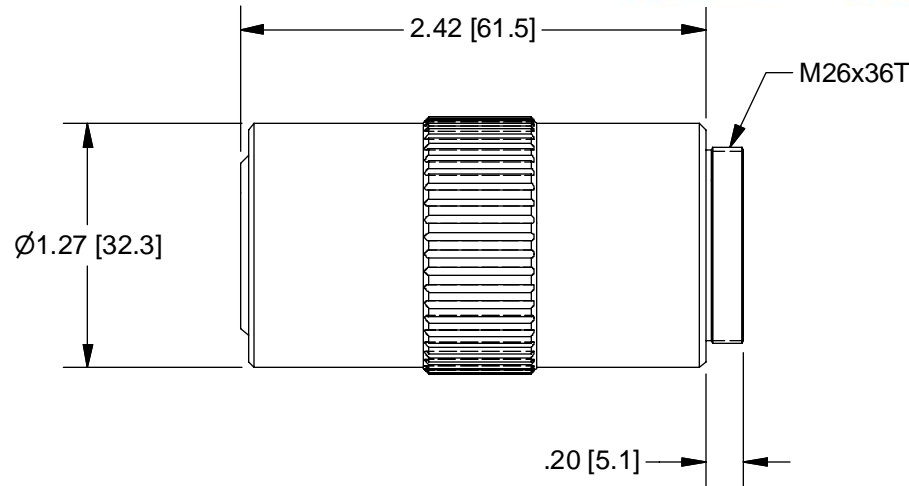
945 East 11th Avenue Tampa, FL 33605

Phone: (813) 984-0125

Contact: Sales@ pyramidimaging.com

<https://pyramidimaging.com>

NA = 0.28
WD = 33.5mm



OUTLINE

UNLESS OTHERWISE SPECIFIED DIMENSIONS ARE IN INCHES AND INCLUDE CHEMICALLY APPLIED OR PLATED FINISHES		THE CONTENTS OF THIS DOCUMENT ARE PROPRIETARY TO NAVITAR, ITS USE IS AUTHORIZED ONLY FOR RESPONDING TO REQUEST FOR QUOTATION OR PERFORMANCE OF WORK FOR NAVITAR				
SCALE:	1:1	0.0 inch 1.0 0.0 mm 25.0 				OBJECTIVE, 10X, M-PLAN, APO
WEIGHT:	200 grams			DO NOT SCALE DRAWING		
DR:	R. PODLENA			A	SHEET 2 OF 2	A
CH:						
PROJECT #:						
DATE DR:	5/16/2002					