

NA = 0.42
WD = 20.0mm

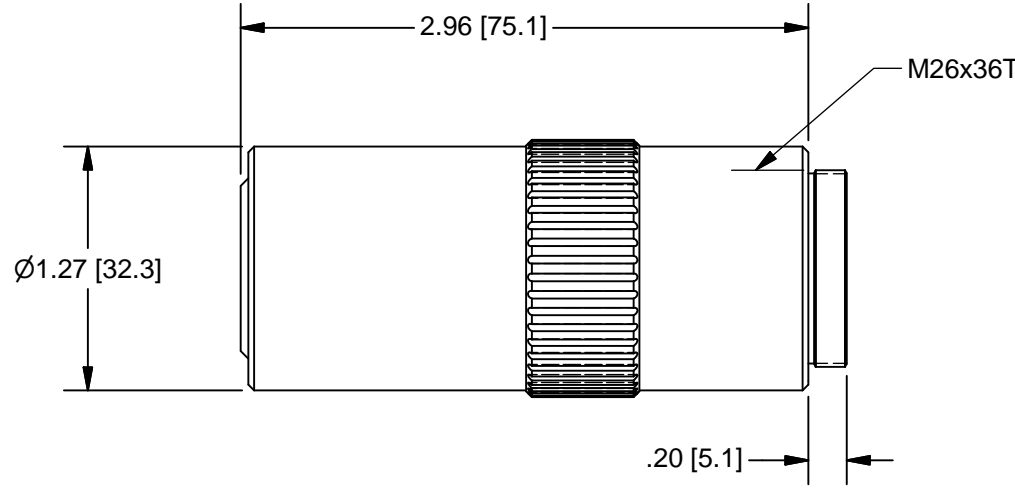


945 East 11th Avenue Tampa, FL 33605

Phone: (813) 984-0125

Contact: Sales@pyramidimaging.com

https://pyramidimaging.com



OUTLINE

UNLESS OTHERWISE SPECIFIED DIMENSIONS ARE IN INCHES AND INCLUDE CHEMICALLY APPLIED OR PLATED FINISHES	
SCALE:	1:1
WEIGHT:	200 grams
DR:	R. PODLENA
CH:	
PROJECT #:	
DATE DR:	3/7/2003

THE CONTENTS OF THIS DOCUMENT ARE PROPRIETARY TO NAVITAR. ITS USE IS AUTHORIZED ONLY FOR RESPONDING TO REQUEST FOR QUOTATION OR PERFORMANCE OF WORK FOR NAVITAR

0.0 inch 1.0
0.0 mm 25.0

DO NOT SCALE DRAWING

OBJECTIVE, 20X, M-PLAN, APO		
SIZE	1-60228	REV
A	SHEET 2 OF 2	