

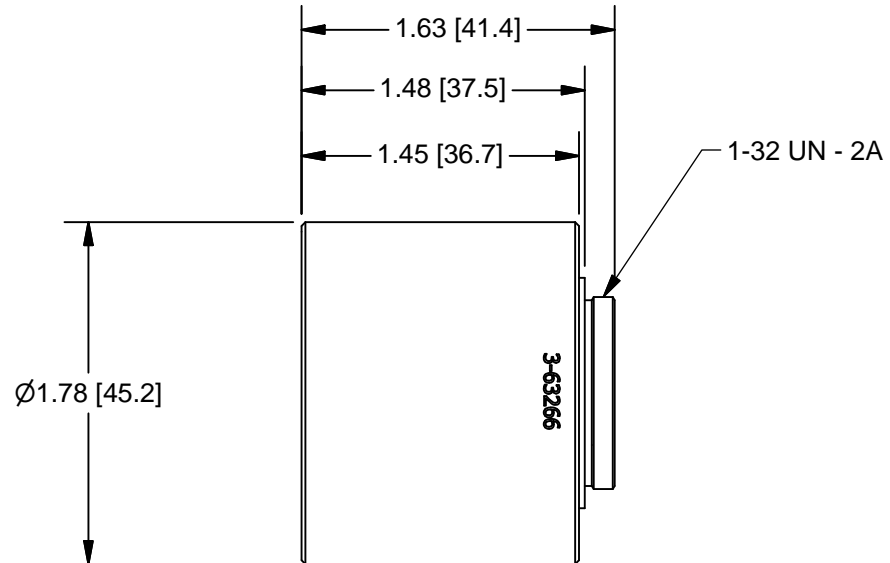
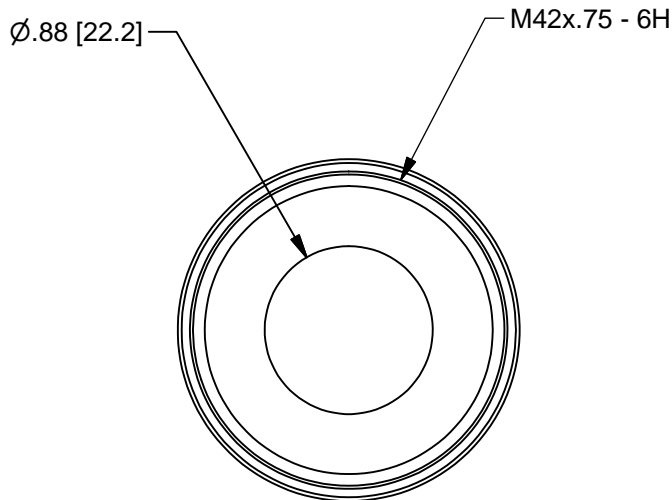


945 East 11th Avenue Tampa, FL 33605

Phone: (813) 984-0125

Contact: Sales@ pyramidimaging.com

<https://pyramidimaging.com>



OUTLINE

UNLESS OTHERWISE SPECIFIED DIMENSIONS ARE IN INCHES AND INCLUDE CHEMICALLY APPLIED OR PLATED FINISHES		THE CONTENTS OF THIS DOCUMENT ARE PROPRIETARY TO NAVITAR. ITS USE IS AUTHORIZED ONLY FOR RESPONDING TO REQUEST FOR QUOTATION OR PERFORMANCE OF WORK FOR NAVITAR		 ROCHESTER, NEW YORK	
SCALE:	1:1	0.0 inch 1.0 0.0 mm 25.0 		ADAPTER, T-C-MOUNT	
WEIGHT:					
DR:	DJM				
CH:	R. PODLENA				
PROJECT #:	E2083	DO NOT SCALE DRAWING		SIZE	3-63266
DATE DR:	1/04/2006			A	
				SHEET 2 OF 2	
				REV A	