


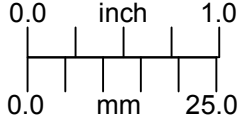
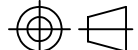
945 East 11<sup>th</sup> Avenue Tampa, FL 33605

Phone: (813) 984-0125

Contact: Sales@pyramidimaging.com

<https://pyramidimaging.com>

## OUTLINE

USED ON:						
MATERIAL:	UNLESS OTHERWISE SPECIFIED DIMENSIONS ARE IN INCHES AND INCLUDE CHEMICALLY APPLIED OR PLATED FINISHES	<u>P/N SUFFIX DEFINITION</u> -1 CONVERSION COATING -2 PAINTING -3 MARKING -R REWORK	THE CONTENTS OF THIS DOCUMENT ARE PROPRIETARY TO NAVITAR, ITS USE IS AUTHORIZED ONLY FOR RESPONDING TO REQUEST FOR QUOTATION OR PERFORMANCE OF WORK FOR NAVITAR			
FINISH:	TOLERANCES AS FOLLOWS DEC. .XXX ± .005 DEC. .XX ± .010 FRACT. ± 1/64 ANGLES ± 30' CONCENTRICITY .003 TIR BREAK ALL SHARP EDGES .005 MIN. .010 MAX. MAX. SURF. ROUGHNESS: $\sqrt{32}$	SCALE: 1:1 DR: DJM CH: PB APP: PB DATE DR: 9/21/2004 DO NOT SCALE DRAWING				MOTIC 20X ELWD ICO 0.42 NA & 20mm WD
CHAMFER ALL THREADS 30° TO ROOT DIAMETER				SIZE <b>A</b>	<b>1-62830_OL</b> SHEET 1 OF 1	REV <b>A</b>