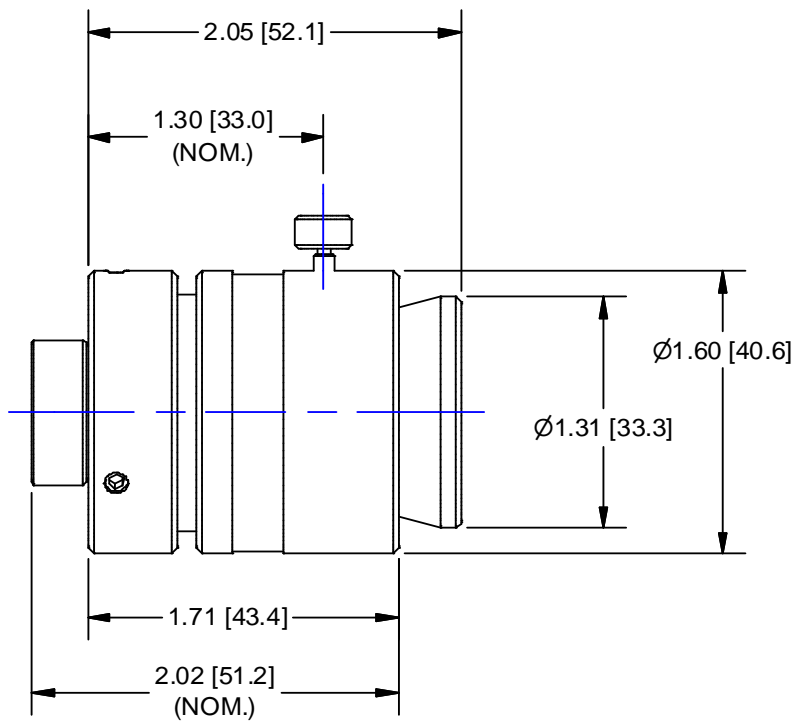



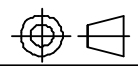


Pyramid Imaging

945 East 11th Avenue Tampa, FL 33605
 sales@pyramidimaging.com
 www.pyramidimaging.com
 813-786-3785



OUTLINE

USED ON:						 ROCHESTER, NEW YORK			
MATERIAL:		UNLESS OTHERWISE SPECIFIED DIMENSIONS ARE IN INCHES AND INCLUDE CHEMICALLY APPLIED OR PLATED FINISHES		P/N SUFFIX DEFINITION -1 CONVERSION COATING -2 PAINTING -3 MARKING -R REWORK				THE CONTENTS OF THIS DOCUMENT ARE PROPRIETARY TO NAVITAR, ITS USE IS AUTHORIZED ONLY FOR RESPONDING TO REQUEST FOR QUOTATION OR PERFORMANCE OF WORK FOR NAVITAR	
FINISH:		TOLERANCES AS FOLLOWS DEC. .XXX ± .005 DEC. .XX ± .010 FRACT. ± 1/64 ANGLES ± 30' CONCENTRICITY .003 TIR BREAK ALL SHARP EDGES .005 MIN. .010 MAX. MAX. SURF. ROUGHNESS: $\sqrt{32}$		SCALE: 1:1 DR: R. PODLENA CH: APP:		0.0 inch 1.0 0.0 mm 25.0		.67X MINI ADAPTER	
CHAMFER ALL THREADS 30° TO ROOT DIAMETER		DATE DR: 1/18/2002 DO NOT SCALE DRAWING				SIZE A		1-61001_OL SHEET 1 OF 1	
						REV			