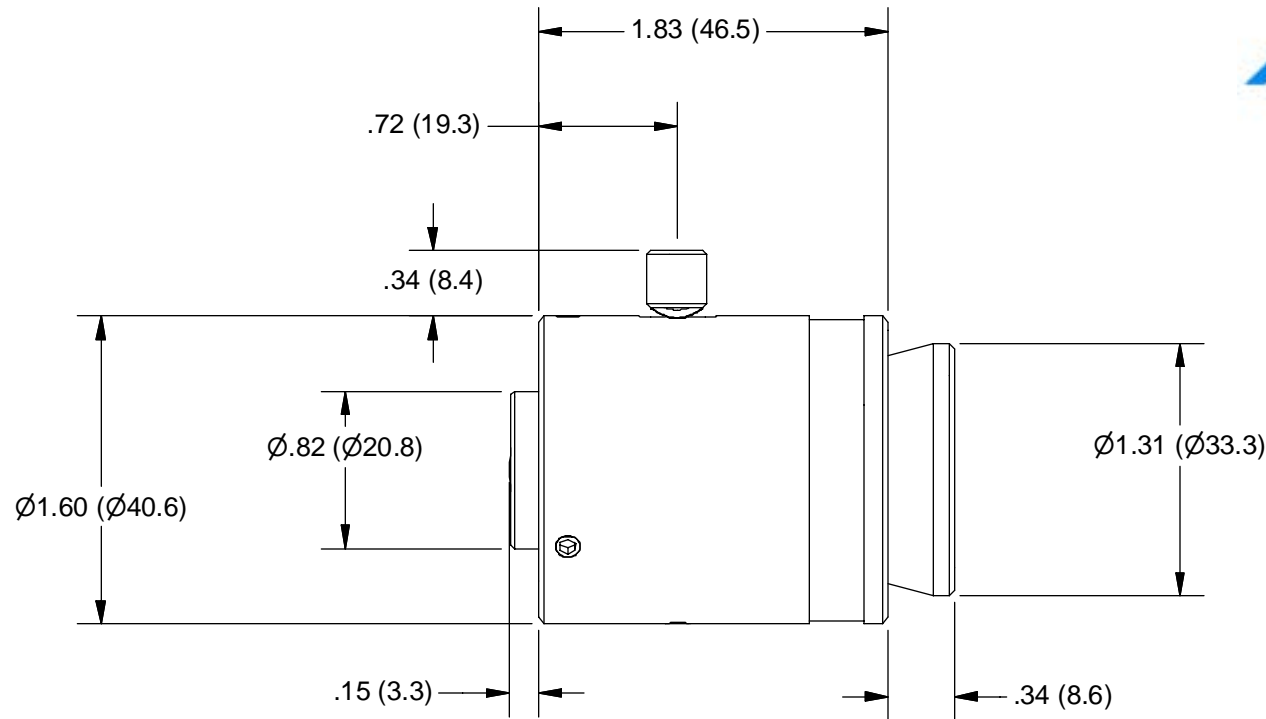



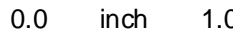




**Pyramid Imaging**

945 East 11th Avenue Tampa, FL 33605  
 sales@pyramidimaging.com  
 www.pyramidimaging.com  
 813-786-3785



# OUTLINE

|   |             |   |   |  |         |
|---|-------------|---|---|--|---------|
| UNLESS OTHERWISE SPECIFIED DIMENSIONS ARE IN INCHES AND INCLUDE CHEMICALLY APPLIED OR PLATED FINISHES |             | THE CONTENTS OF THIS DOCUMENT ARE PROPRIETARY TO NAVITAR. ITS USE IS AUTHORIZED ONLY FOR RESPONDING TO REQUEST FOR QUOTATION OR PERFORMANCE OF WORK FOR NAVITAR   |   | <br>ROCHESTER, NEW YORK |         |
| SCALE:  | 1:1         | 0.0    inch    1.0<br><br>0.0    mm    25.0<br> |   | ADAPTER, 2X MINI (NO THREADS)  |         |
| WEIGHT:   | .25LBM      |   |   | SIZE   | 1-62136 |
| DR:   | R. PODLENA  | DO NOT SCALE DRAWING<br>   | A | SHEET 1 OF 1   |         |
| CH:   | P. BONAFEDE |   |   |  |         |
| PROJECT #:  |             |   |   |  |         |
| DATE DR:  | 2/15/2002   |   |   |  |         |