
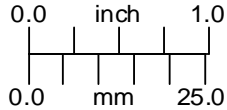


**Pyramid Imaging**

945 East 11th Avenue Tampa, FL 33605  
 sales@pyramidimaging.com  
 www.pyramidimaging.com  
 813-786-3785

# OUTLINE

USED ON:

MATERIAL:	UNLESS OTHERWISE SPECIFIED DIMENSIONS ARE IN INCHES AND INCLUDE CHEMICALLY APPLIED OR PLATED FINISHES	<u>P/N SUFFIX DEFINITION</u> -1 CONVERSION COATING -2 PAINTING -3 MARKING -R REWORK	THE CONTENTS OF THIS DOCUMENT ARE PROPRIETARY TO NAVITAR, ITS USE IS AUTHORIZED ONLY FOR RESPONDING TO REQUEST FOR QUOTATION OR PERFORMANCE OF WORK FOR NAVITAR	 ROCHESTER, NEW YORK	
	TOLERANCES AS FOLLOWS DEC. .XXX ± .005 DEC. .XX ± .010 FRACT. ± 1/64 ANGLES ± 30' CONCENTRICITY .003 TIR BREAK ALL SHARP EDGES .005 MIN. .010 MAX. MAX. SURF. ROUGHNESS: 32	SCALE: 1:1			
FINISH:	CHAMFER ALL THREADS 30° TO ROOT DIAMETER	DR: BE	0.0 inch 1.0  0.0 mm 25.0	2x ADAPTER MOD III ASSEMBLY	
		CH: APP: DATE DR: 7/8/2002			
		DO NOT SCALE DRAWING	