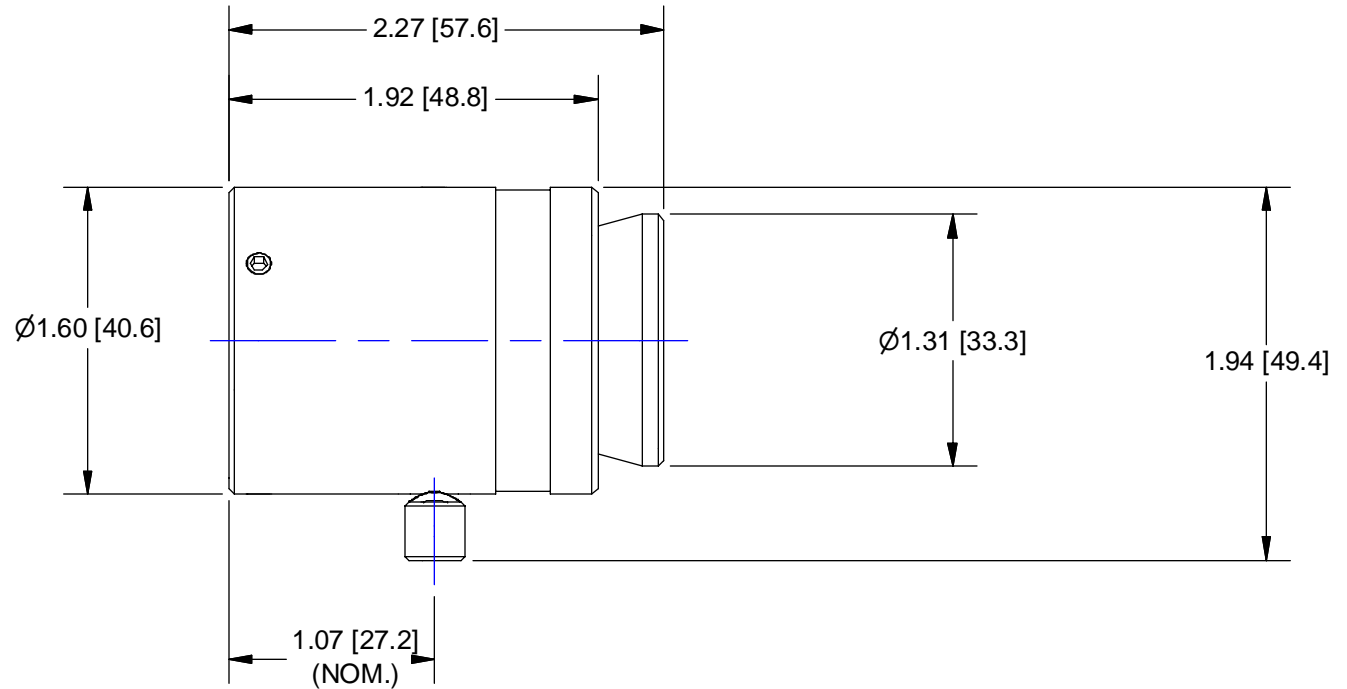



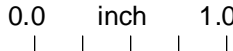


Pyramid Imaging

945 East 11th Avenue Tampa, FL 33605
 sales@pyramidimaging.com
 www.pyramidimaging.com
 813-786-3785



OUTLINE

UNLESS OTHERWISE SPECIFIED DIMENSIONS ARE IN INCHES AND INCLUDE CHEMICALLY APPLIED OR PLATED FINISHES		PROPRIETARY AND CONFIDENTIAL		 ROCHESTER, NEW YORK		
SCALE: 1:1		THE INFORMATION CONTAINED IN THIS DRAWING IS THE SOLE PROPERTY OF NAVITAR. ANY REPRODUCTION IN PART OR AS A WHOLE WITHOUT THE WRITTEN PERMISSION OF NAVITAR IS PROHIBITED.				
WEIGHT: .197LBM		0.0 inch 1.0  0.0 mm 25.0		ADAPTER, .71X RIGHT ANGLE		
DR BY: R. PODLENA						
CH BY:						
PROJECT #:		DO NOT SCALE DRAWING		SIZE A	1-60060 SHEET 2 OF 2	REV C
DATE DR: 6/17/2003		