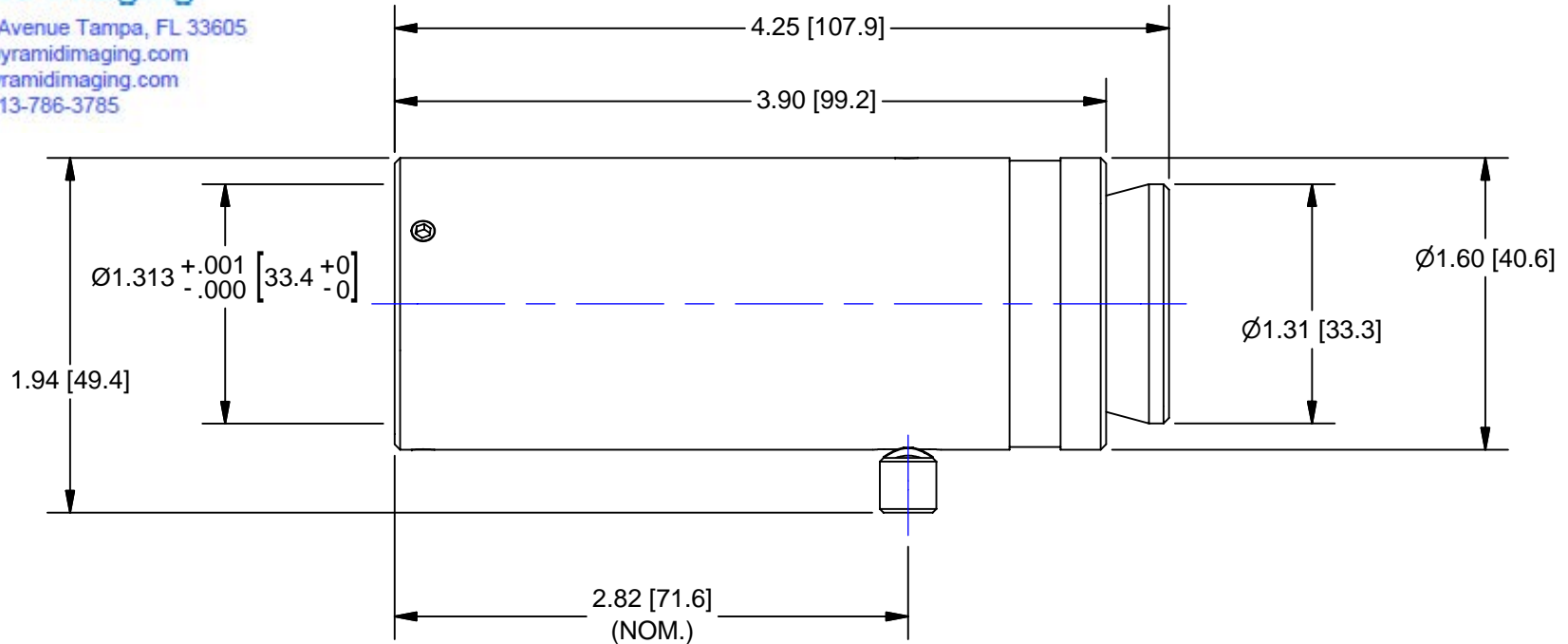




Pyramid Imaging

945 East 11th Avenue Tampa, FL 33605
 sales@pyramidimaging.com
 www.pyramidimaging.com
 813-786-3785



OUTLINE

UNLESS OTHERWISE SPECIFIED DIMENSIONS ARE IN INCHES [MM] AND INCLUDE CHEMICALLY APPLIED OR PLATED FINISHES		PROPRIETARY AND CONFIDENTIAL			
SCALE: 1:1		THE INFORMATION CONTAINED IN THIS DRAWING IS THE SOLE PROPERTY OF NAVITAR. ANY REPRODUCTION IN PART OR AS A WHOLE WITHOUT THE WRITTEN PERMISSION OF NAVITAR IS PROHIBITED.			
WEIGHT: N/A				2X RA ADAPTER ASSEMBLY	
DR BY: PODLENA					
CH BY:		DO NOT SCALE DRAWING		SIZE A	1-6120 SHEET 2 OF 2
PROJECT #:					
DATE DR: 4/16/2002				REV D	