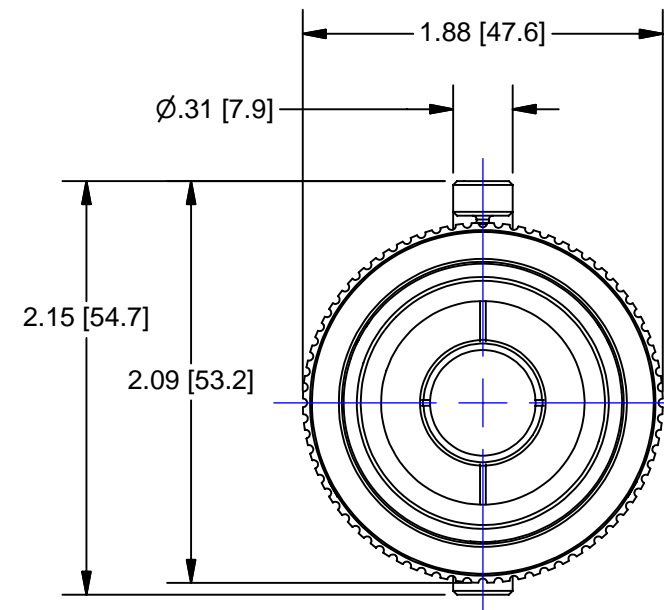
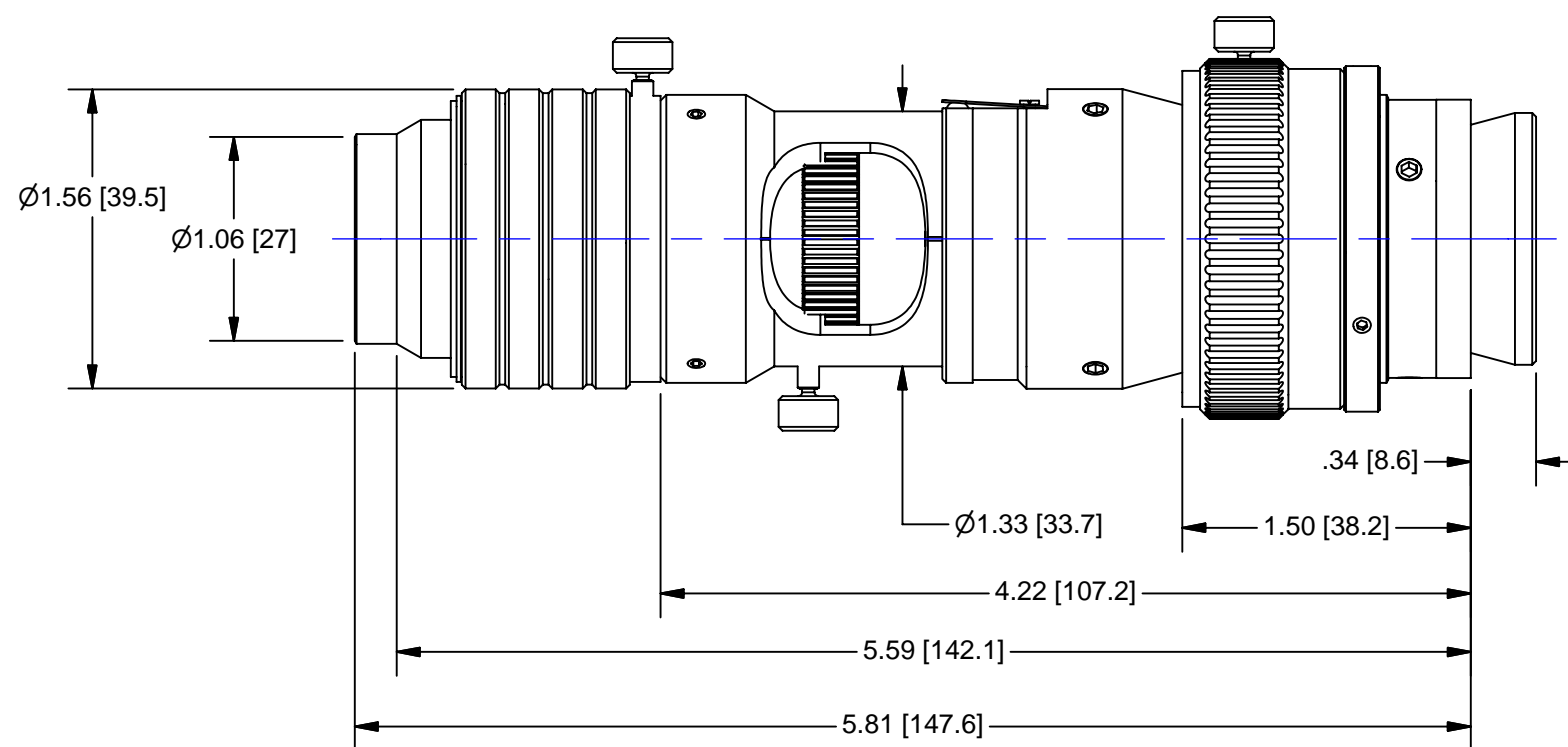
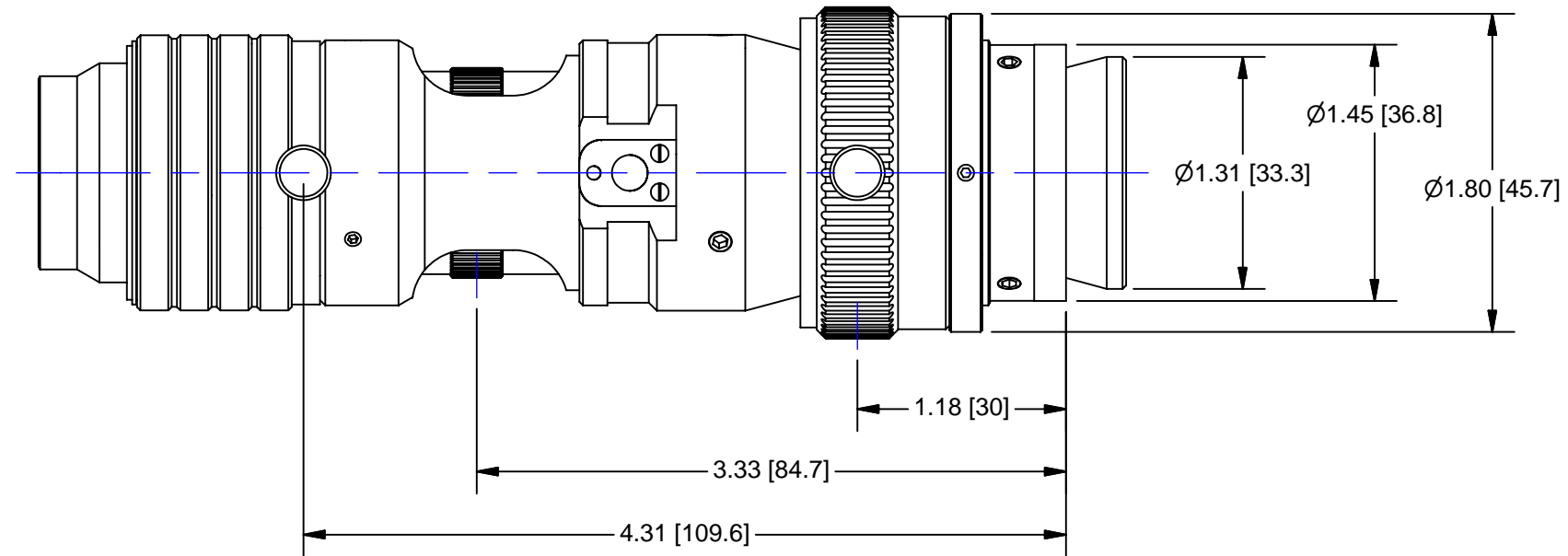



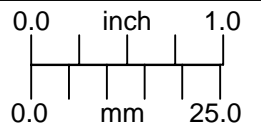


Pyramid Imaging

945 East 11th Avenue Tampa, FL 33605
 sales@pyramidimaging.com
 www.pyramidimaging.com
 813-786-3785



OUTLINE

UNLESS OTHERWISE SPECIFIED DIMENSIONS ARE IN INCHES AND INCLUDE CHEMICALLY APPLIED OR PLATED FINISHES		THE CONTENTS OF THIS DOCUMENT ARE PROPRIETARY TO NAVITAR. ITS USE IS AUTHORIZED ONLY FOR RESPONDING TO REQUEST FOR QUOTATION OR PERFORMANCE OF WORK FOR NAVITAR		 ROCHESTER, NEW YORK	
SCALE:	1:1			ZOOM 6000 w/12mm F/F, APERTURE & DETENT	
WEIGHT:	.77 lbm			SIZE	1-60135AD
DR:	BJC	B	SHEET 1 OF 1	A	
CH:		DO NOT SCALE DRAWING			
PROJECT #:					
DATE DR:	6/30/2006				