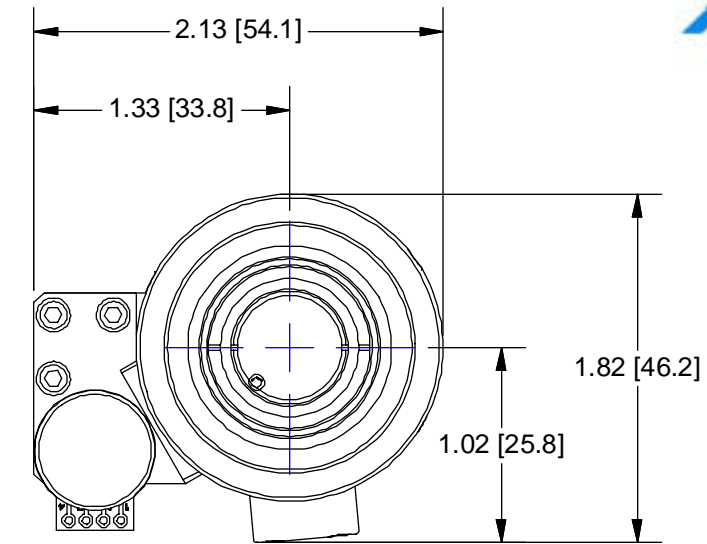
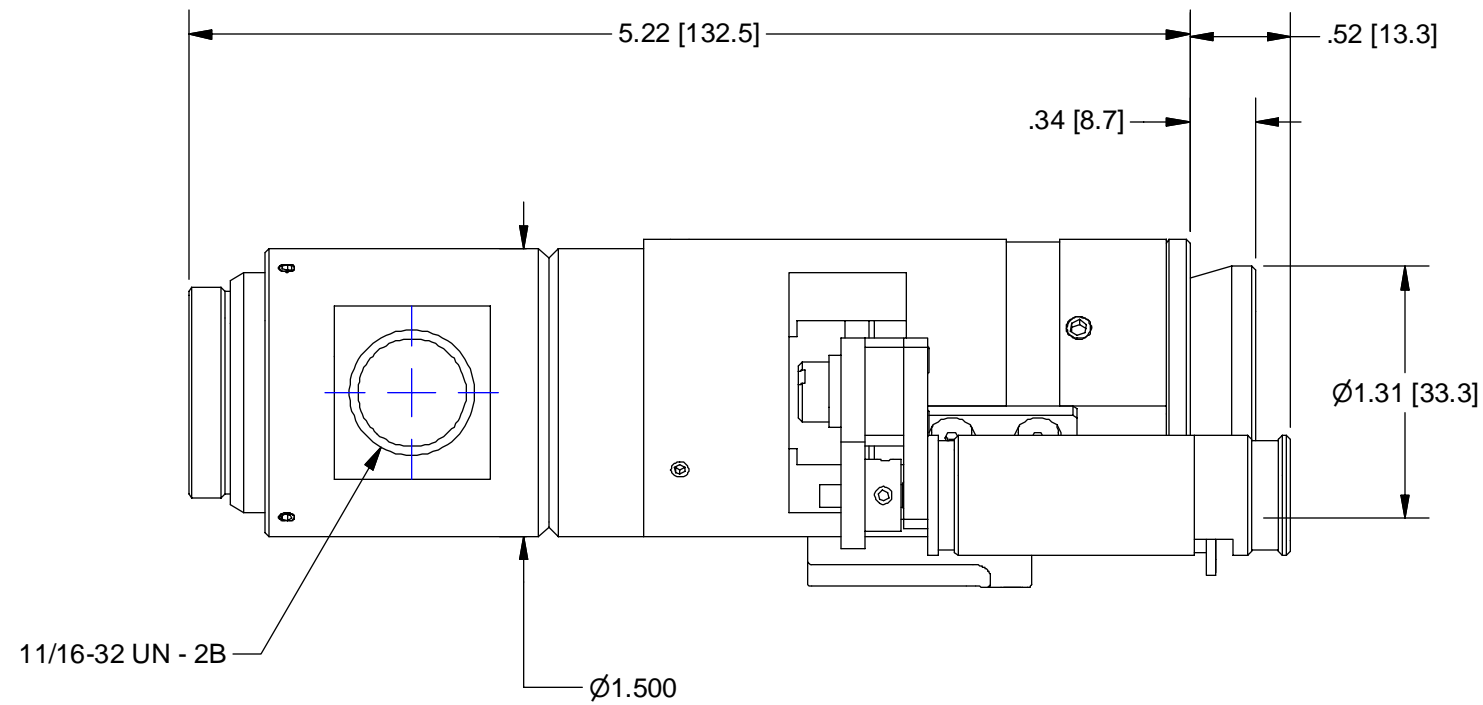




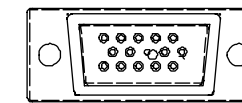
**Pyramid Imaging**

945 East 11th Avenue Tampa, FL 33605  
 sales@pyramidimaging.com  
 www.pyramidimaging.com  
 813-786-3785

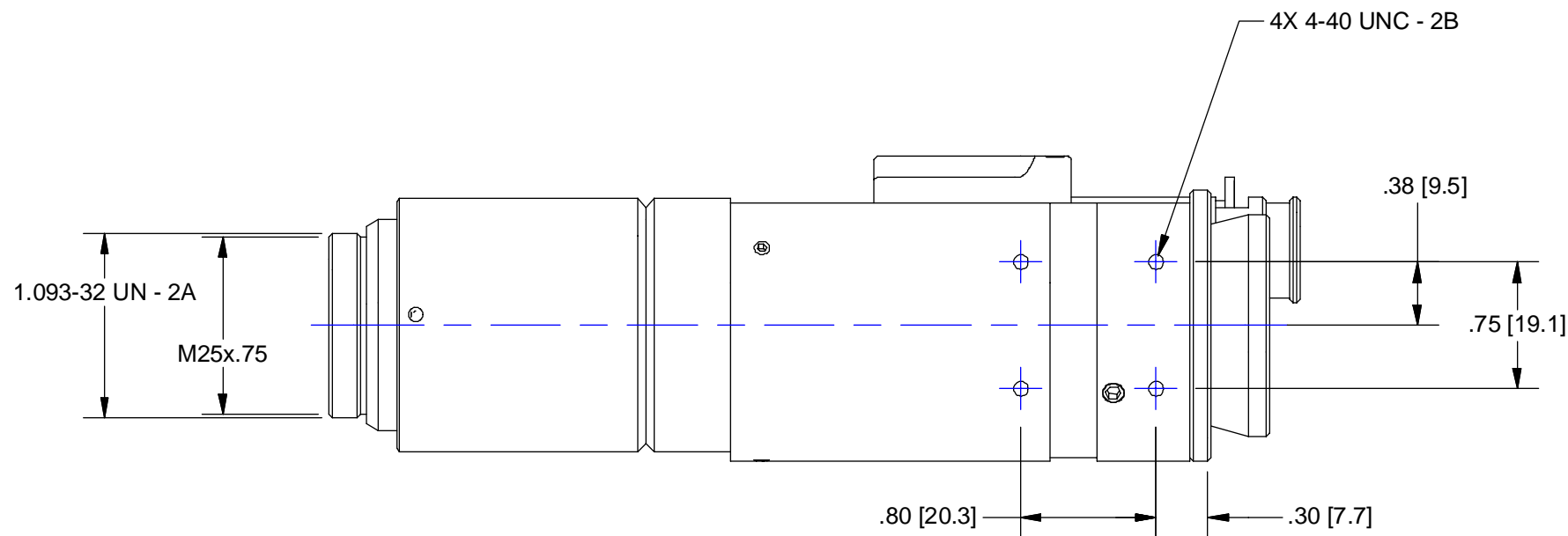


**2-PHASE MOTOR PINOUT**

- PIN 3 = +5Vdc
- PIN13 = COMMON
- PIN 8 = FAR LIMIT
- PIN 12 = NEAR LIMIT
- PIN 1 = MOTOR A+
- PIN 7 = MOTOR A-
- PIN 6 = MOTOR B+
- PIN 11 = MOTOR B-



15 PIN HIGH DENSITY  
D-SUB



**OUTLINE**

UNLESS OTHERWISE SPECIFIED DIMENSIONS ARE IN INCHES AND INCLUDE CHEMICALLY APPLIED OR PLATED FINISHES		THE CONTENTS OF THIS DOCUMENT ARE PROPRIETARY TO NAVITAR, ITS USE IS AUTHORIZED ONLY FOR RESPONDING TO REQUEST FOR QUOTATION OR PERFORMANCE OF WORK FOR NAVITAR		 ROCHESTER, NEW YORK		
SCALE:	1:1	0.0 inch 1.0				
WEIGHT:	1.6lbm	0.0 mm 25.0		MTR (STEP) 6X w/LS (HE) & ROT. CP		
DR:	R. PODLENA	DO NOT SCALE DRAWING		SIZE	1-62608	REV
CH:	P. BONAFEDE			<b>B</b>		<b>B</b>
PROJECT #:						SHEET 2 OF 2
DATE DR:	8/18/2003					