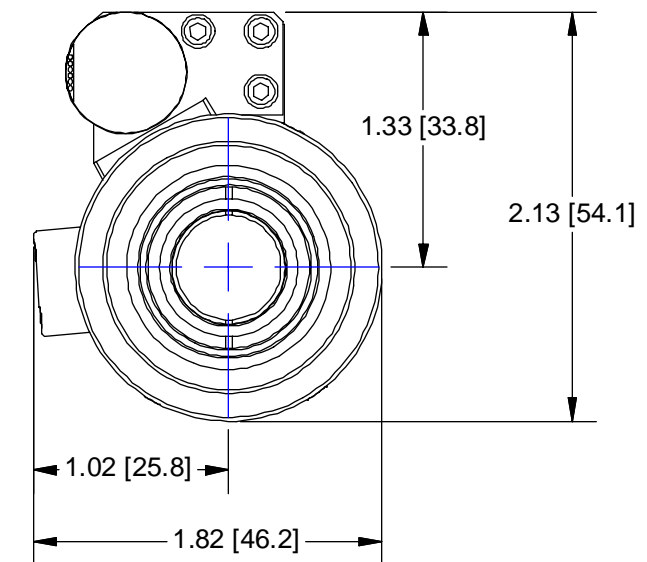
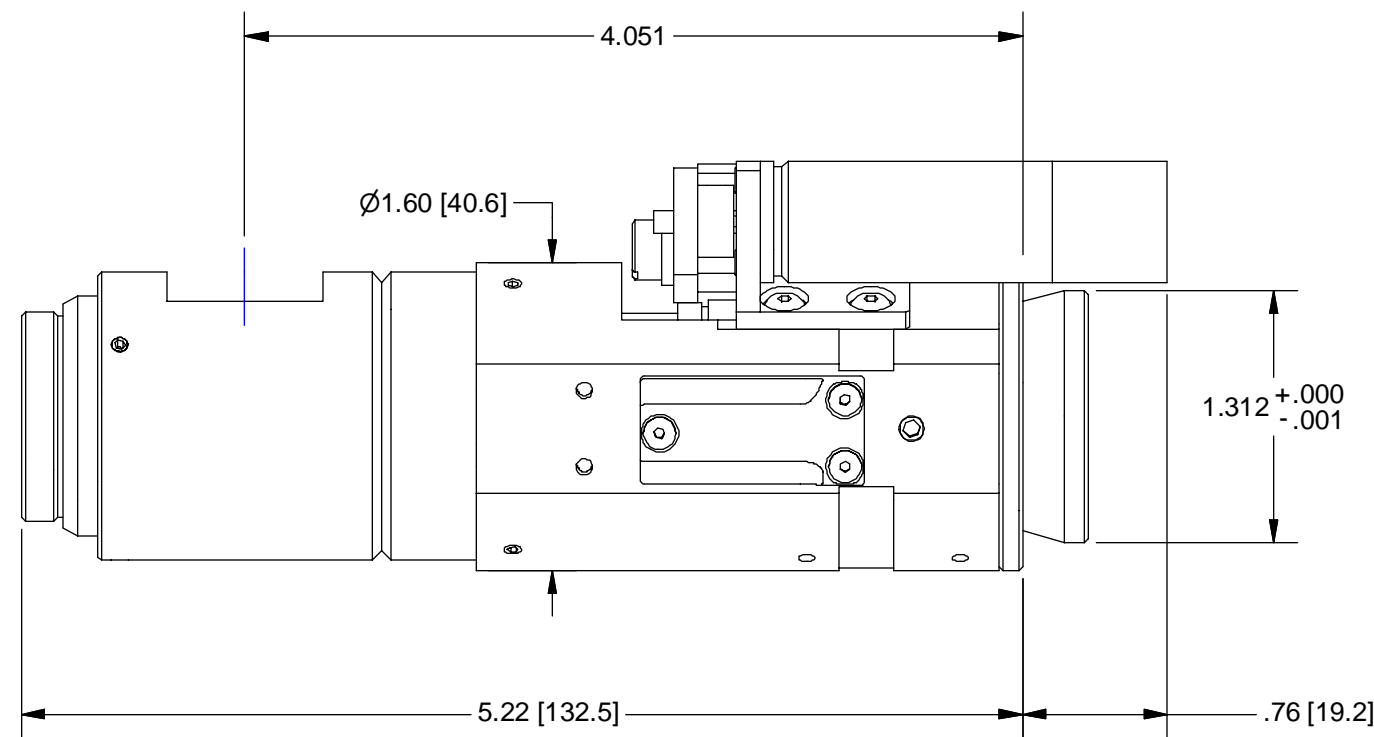
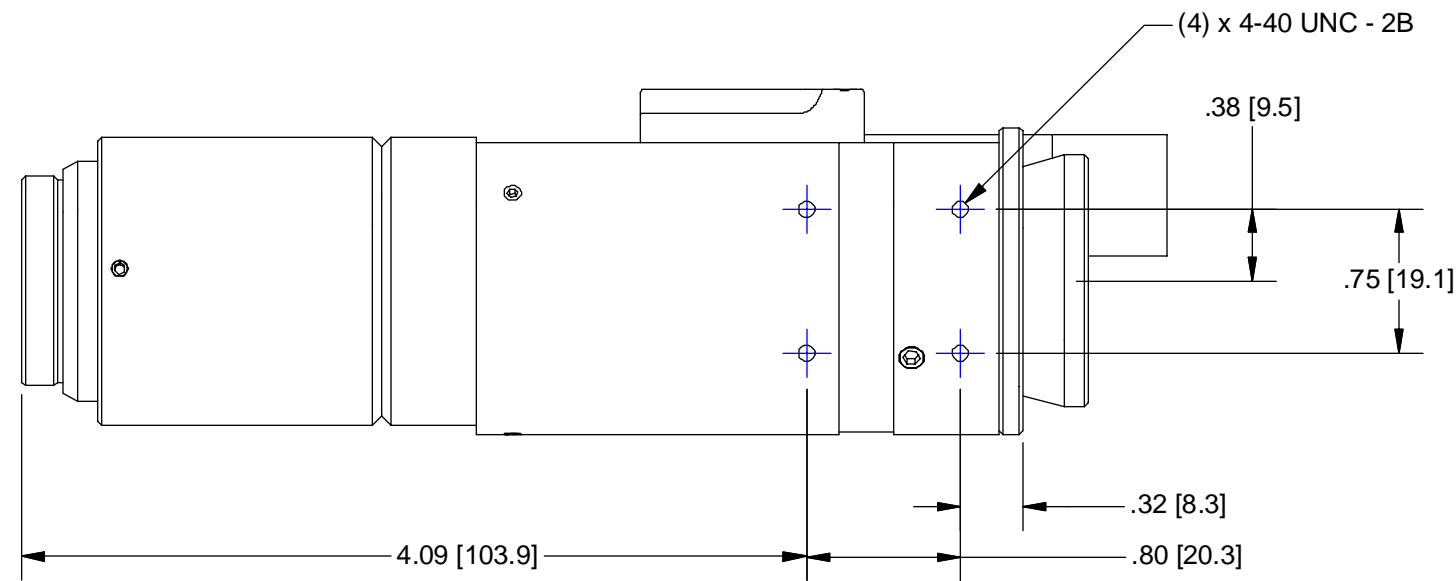




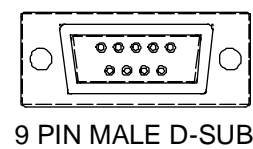
**Pyramid Imaging**

945 East 11th Avenue Tampa, FL 33605  
 sales@pyramidimaging.com  
 www.pyramidimaging.com  
 813-786-3785



**DC ENCODED PINOUT**

- PIN 1 = MOTOR CH A
- PIN 2 = FAR LIMIT
- PIN 3 = N/C
- PIN 4 = +5Vdc
- PIN 5 = MOTOR +
- PIN 6 = MOTOR CH B
- PIN 7 = NEAR LIMIT
- PIN 8 = COMMON
- PIN 9 = MOTOR -



**OUTLINE**

UNLESS OTHERWISE SPECIFIED DIMENSIONS ARE IN INCHES AND INCLUDE CHEMICALLY APPLIED OR PLATED FINISHES		THE CONTENTS OF THIS DOCUMENT ARE PROPRIETARY TO NAVITAR, ITS USE IS AUTHORIZED ONLY FOR RESPONDING TO REQUEST FOR QUOTATION OR PERFORMANCE OF WORK FOR NAVITAR			
SCALE: 1:1		WEIGHT:			
DR: R. PODLENA		CH: P. BONAFEDE		MTR (ENC) 6x w/LS (HE) & ROT. CP	
PROJECT #:		DATE DR: 8/18/2003			
DO NOT SCALE DRAWING				SIZE	REV
				<b>B</b>	<b>C</b>
				1-62609	SHEET 2 OF 2