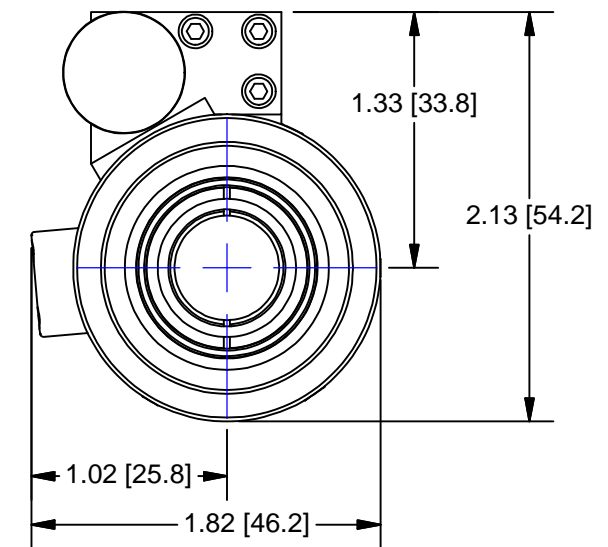
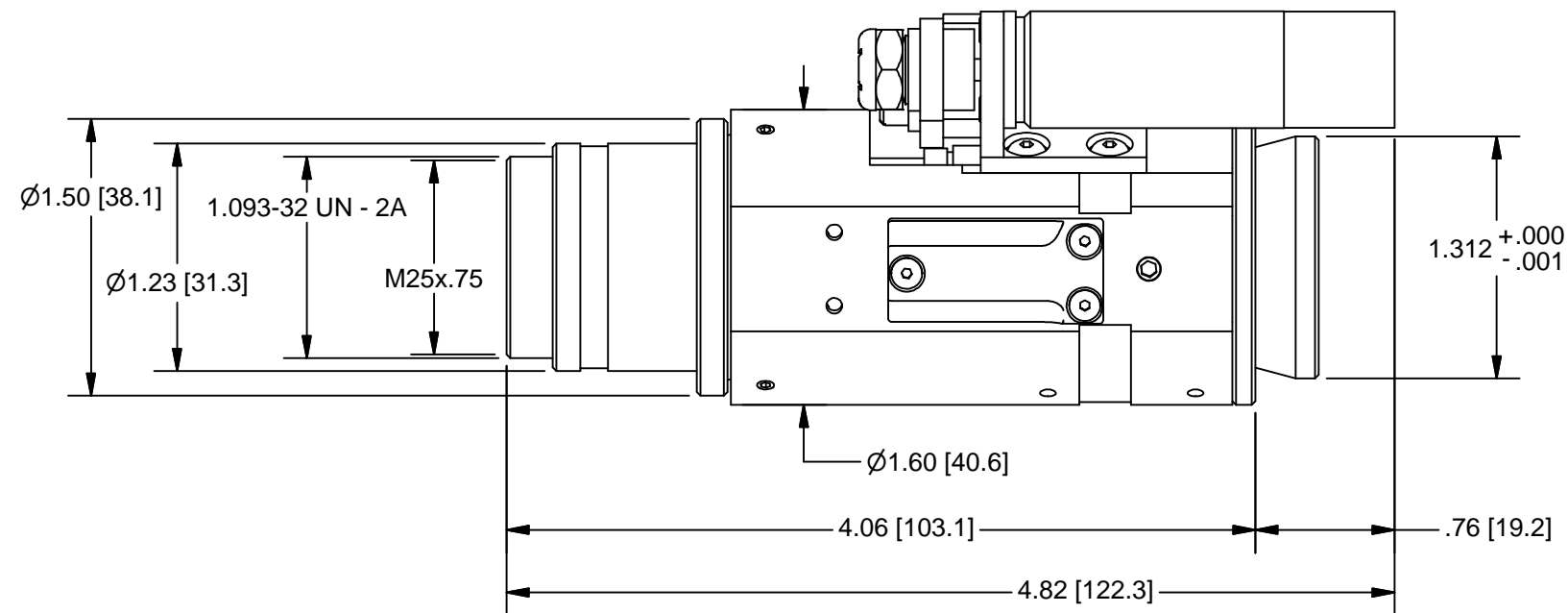
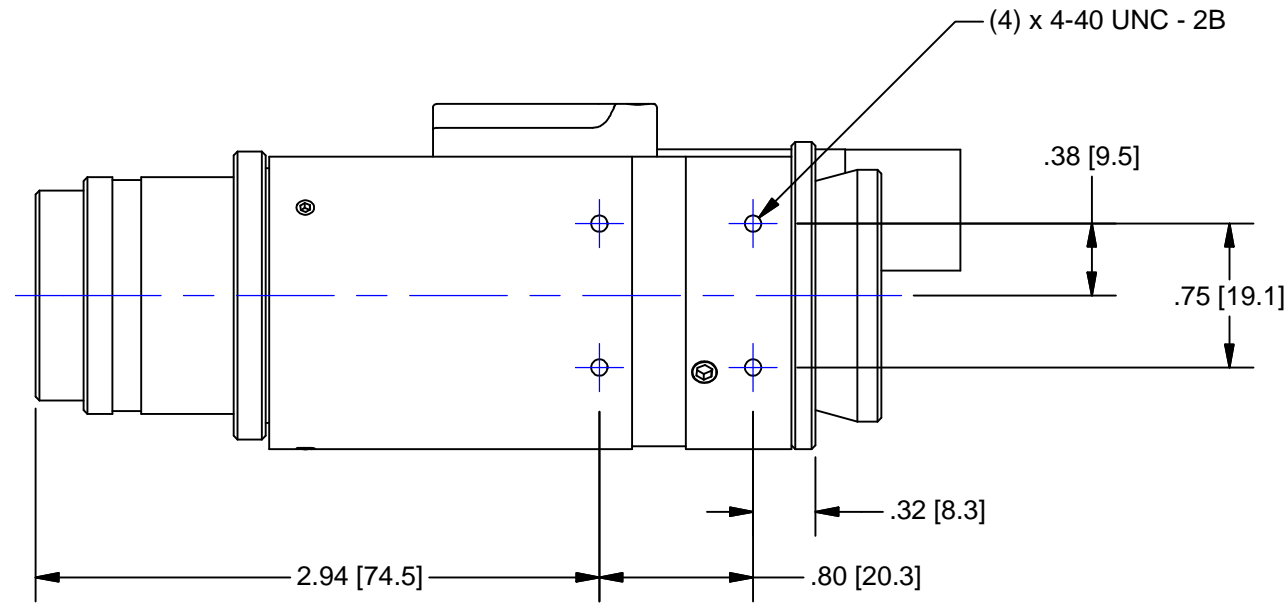


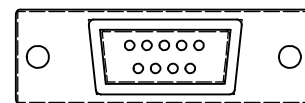


945 East 11<sup>th</sup> Avenue Tampa, FL 33605  
 Phone: (813) 984-0125  
 Contact: Sales@pyramidimaging.com  
<https://pyramidimaging.com>



**DC ENCODED PINOUT**

- PIN 1 = MOTOR CH A
- PIN 2 = FAR LIMIT
- PIN 3 = N/C
- PIN 4 = +5Vdc
- PIN 5 = MOTOR +
- PIN 6 = MOTOR CH B
- PIN 7 = NEAR LIMIT
- PIN 8 = COMMON
- PIN 9 = MOTOR -



**Pyramid Imaging**  
 4951 Adamo Dr. Suite 224  
 Tampa, FL 33605-5919  
 Phone: 813.984.0125 Fax: 866.874.9521  
[www.pyramidimaging.com](http://www.pyramidimaging.com)

USED ON:  
 MATERIAL:

FINISH:

CHAMFER ALL THREADS  
 30° TO ROOT DIAM.

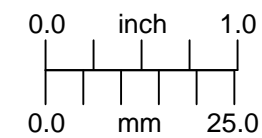
UNLESS OTHERWISE SPECIFIED DIMENSIONS ARE IN INCHES AND INCLUDE CHEMICALLY APPLIED OR PLATED FINISHES

TOLERANCES:  
 DEC. .XXX ± .005  
 DEC. .XX ± .010  
 FRACT. ± 1/64  
 ANGLES ± 30'  
 CONCENTRICITY .003 TIR  
 BREAK ALL SHARP EDGES  
 .005 MIN. .010 MAX  
 MAX. SURF. ROUGHNESS 32 √

P/N SUFFIX DEFINITION  
 -1 CONVERSION COATING  
 -2 PAINTING  
 -3 MARKING  
 -R REWORK

SCALE: 1:1  
 DR.: R. PODLENA  
 CH.: P. BONAFEDE  
 APP.: P. BONAFEDE  
 DATE DR.: 8/18/2003  
 DO NOT SCALE DRAWING

THE CONTENTS OF THIS DOCUMENT ARE PROPRIETARY TO NAVITAR, ITS USE IS AUTHORIZED ONLY FOR RESPONDING TO REQUEST FOR QUOTATION OR PERFORMANCE OF WORK FOR NAVITAR



**OUTLINE**



MOTORIZED (ENCODED) 6x w/2 POS LS (HE)

|          |              |          |
|----------|--------------|----------|
| SIZE     | 1-62606      | REV      |
| <b>B</b> | SHEET 1 OF 1 | <b>A</b> |