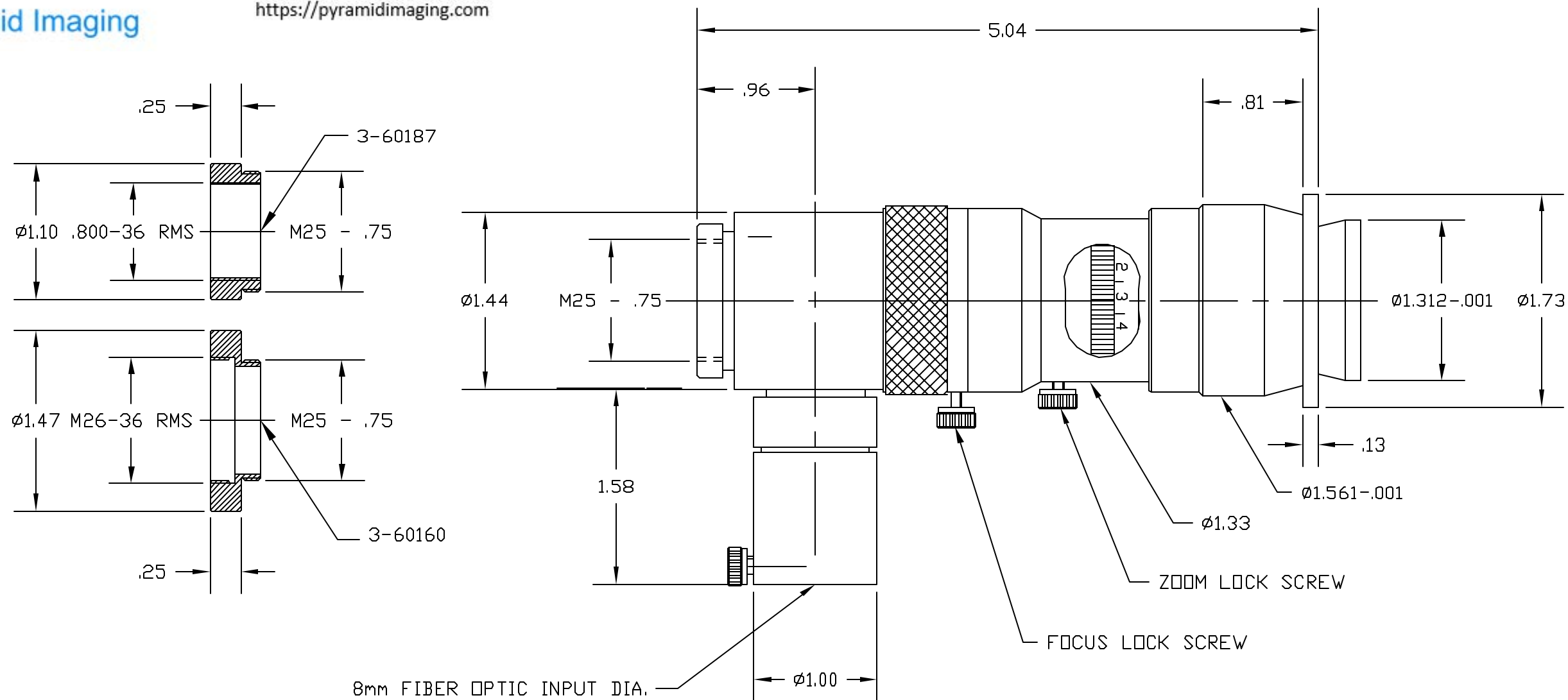




945 East 11th Avenue Tampa, FL 33605
 Phone: (813) 984-0125
 Contact: Sales@pyramidimaging.com
<https://pyramidimaging.com>

REV	CHANGE RECORD AND DATE	CH
A	REDRAWN 12/22/03	



NEXT ASSY.

USED ON

1-60191 OL

MATERIAL	UNLESS OTHERWISE SPECIFIED DIMENSIONS ARE IN INCHES AND INCLUDE CHEMICALLY APPLIED OR PLATED FINISHES		P/N Suffix Definition -1 Conversion Coating -2 Painting -3 Marking -R Rework		
	TOLERANCES AS FOLLOWS DEC. .XXX ±.005 DEC. .XX ±.010 FRACT. ±1/64 ANGLES ±30° CONCENTRICITY .003 TIR BREAK ALL SHARP EDGES .005 MIN. .010 MAX. MAX. SURF. ROUGHNESS √32				
FINISH	CHAMFER ALL THREADS 30° TO ROOT DIAM.	DR. AK / PB	CH.	DATE DR. 12/12/91	6X ULTRAZOOM w/3mm FF & COAX SIZE B 1-60191 OL SHT. 1 OF 1
		APP.	DO NOT SCALE DRAWING	REV A	