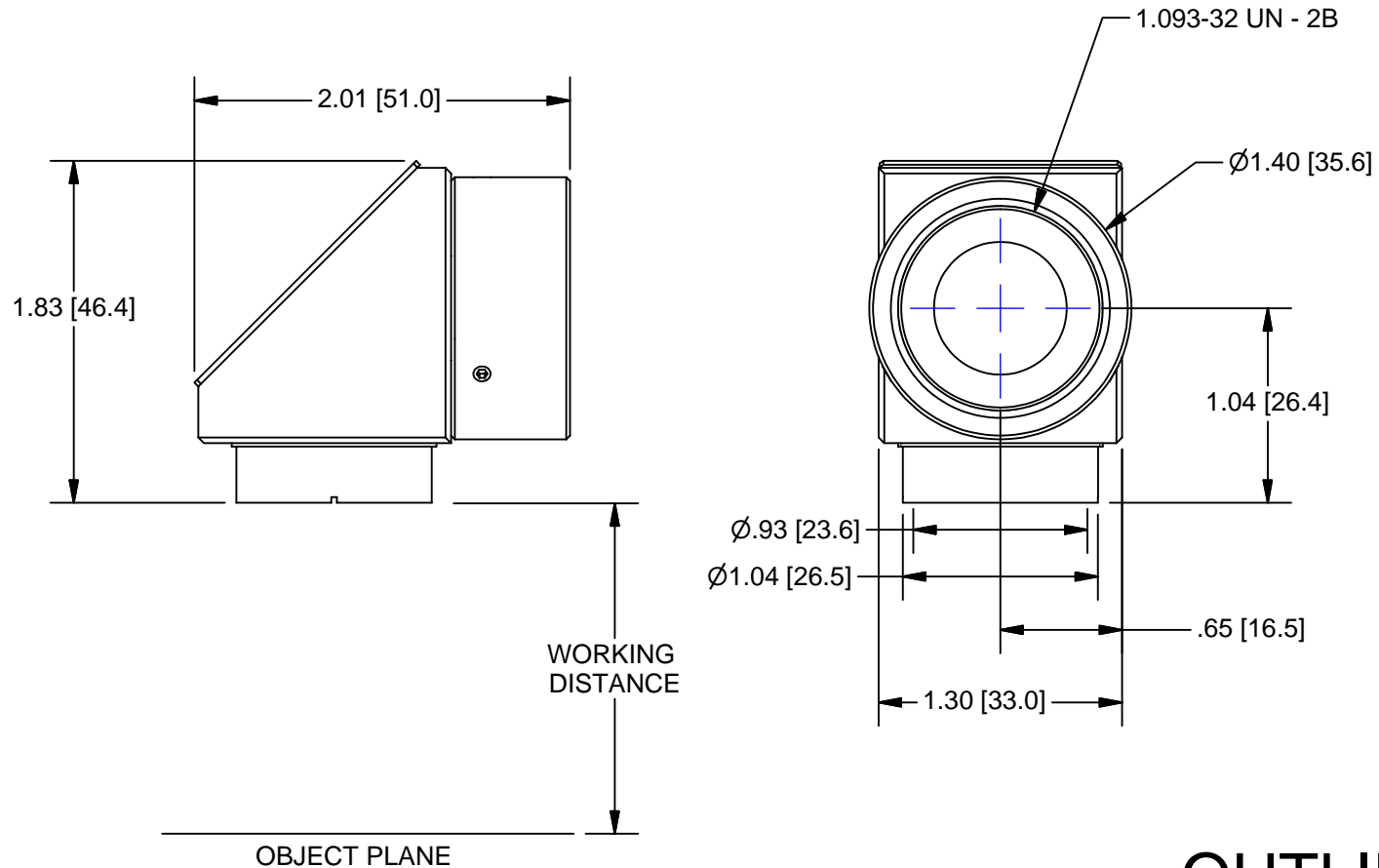


LENS ATTACHMENT

WORKING DISTANCE (mm)

0.5X	132
0.75X	70
NONE	41
1.5X	8



OUTLINE



Pyramid Imaging

945 East 11th Avenue Tampa, FL 33605
 sales@pyramidimaging.com
 www.pyramidimaging.com
 813-786-3785

UNLESS OTHERWISE SPECIFIED
 DIMENSIONS ARE IN INCHES AND
 INCLUDE CHEMICALLY APPLIED
 OR PLATED FINISHES

SCALE: 2:1

WEIGHT:

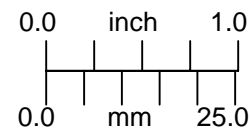
DR BY: R. PODLENA

CH BY: P. BONAFEDE

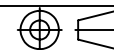
PROJECT #:

DATE DR: 6/11/2004

THE CONTENTS OF THIS DOCUMENT
 ARE PROPRIETARY TO NAVITAR, ITS
 USE IS AUTHORIZED ONLY FOR
 RESPONDING TO REQUEST FOR
 QUOTATION OR PERFORMANCE OF
 WORK FOR NAVITAR



DO NOT SCALE DRAWING



**RIGHT ANGLE LENS ATTACHMENT
 ASS'Y -6x**

SIZE
A

1-62866
 SHEET 2 OF 2

REV
A