


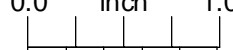


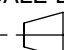
**Pyramid Imaging**

945 East 11th Avenue Tampa, FL 33605

sales@pyramidimaging.com

www.pyramidimaging.com

813-786-3785

UNLESS OTHERWISE SPECIFIED DIMENSIONS ARE IN INCHES AND INCLUDE CHEMICALLY APPLIED OR PLATED FINISHES		THE CONTENTS OF THIS DOCUMENT ARE PROPRIETARY TO NAVITAR, ITS USE IS AUTHORIZED ONLY FOR RESPONDING TO REQUEST FOR QUOTATION OR PERFORMANCE OF WORK FOR NAVITAR		 ROCHESTER, NEW YORK	
SCALE:	2:1	0.0    inch    1.0  0.0    mm    25.0 		6X POLARIZER (SIMPLE)	
WEIGHT:	.058LBM				
DR:	DJM	DO NOT SCALE DRAWING		SIZE <b>A</b>	<b>2-62827</b> SHEET 2 OF 2
CH:	PB				
PROJECT #:		 		REV <b>A</b>	
DATE DR:	7/28/2004				