

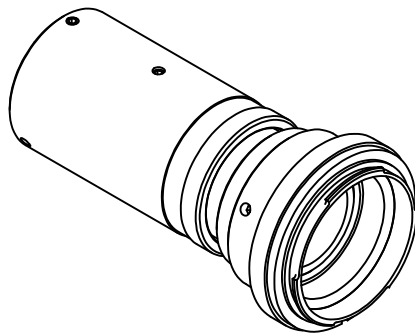
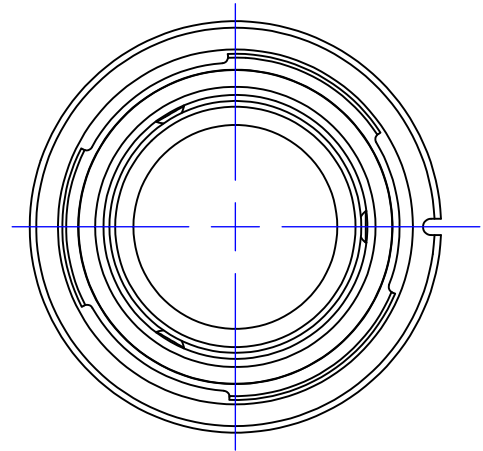
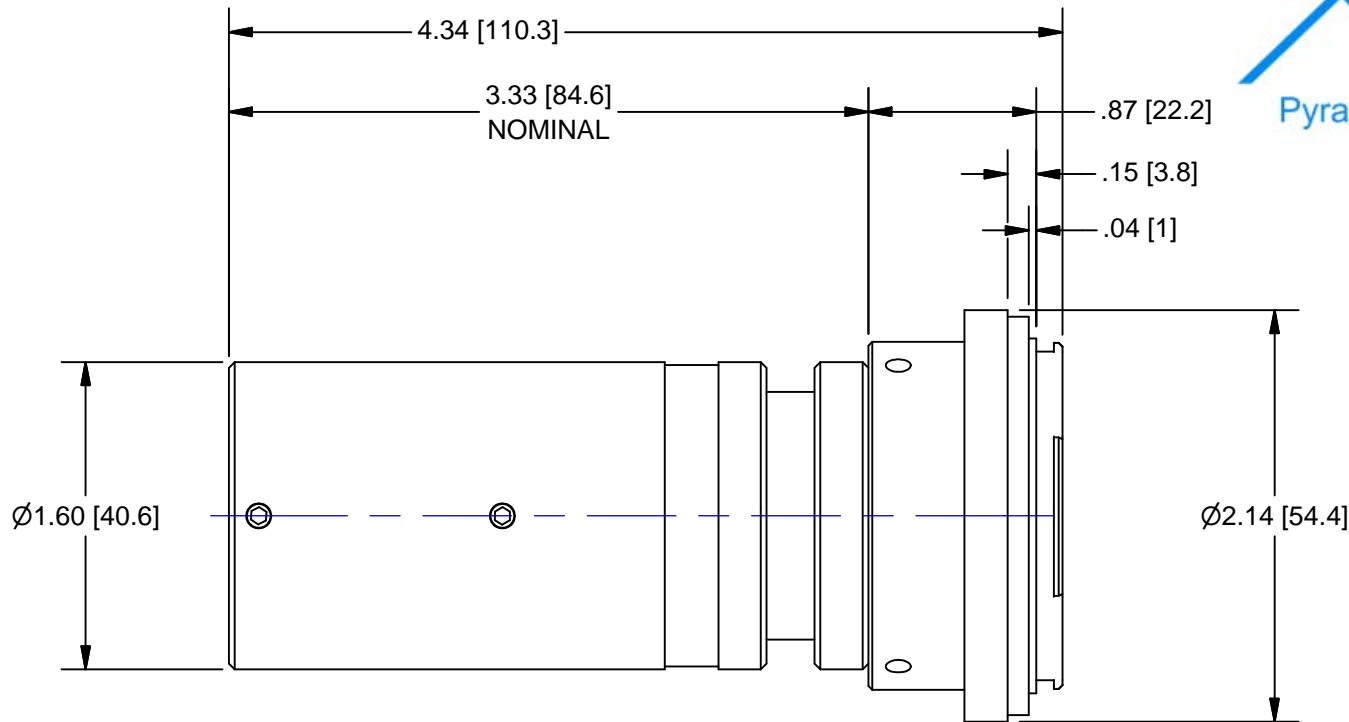


945 East 11th Avenue Tampa, FL 33605

Phone: (813) 984-0125

Contact: Sales@pyramidimaging.com

https://pyramidimaging.com



OUTLINE

UNLESS OTHERWISE SPECIFIED DIMENSIONS ARE IN INCHES [MM] AND INCLUDE CHEMICALLY APPLIED OR PLATED FINISHES		PROPRIETARY AND CONFIDENTIAL			
SCALE: 1:1		THE INFORMATION CONTAINED IN THIS DRAWING IS THE SOLE PROPERTY OF NAVITAR. ANY REPRODUCTION IN PART OR AS A WHOLE WITHOUT THE WRITTEN PERMISSION OF NAVITAR IS PROHIBITED.			
WEIGHT: 0.44 lbmass				ADAPTER, 1X F-MOUNT	
DR BY: R. PODLENA					
CH BY: PB		DO NOT SCALE DRAWING			
PROJECT #: E2946		DATE DR: 5/31/2012		1-64299	
				SHEET 2 OF 2	