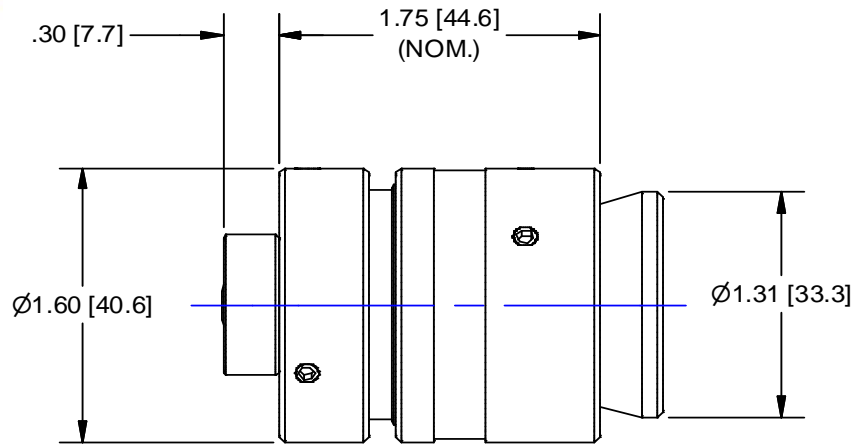





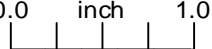
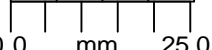
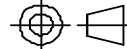
Pyramid Imaging

945 East 11th Avenue Tampa, FL 33605
 sales@pyramidimaging.com
 www.pyramidimaging.com
 813-786-3785



OUTLINE

USED ON:

MATERIAL:	UNLESS OTHERWISE SPECIFIED DIMENSIONS ARE IN INCHES AND INCLUDE CHEMICALLY APPLIED OR PLATED FINISHES	<u>P/N SUFFIX DEFINITION</u> -1 CONVERSION COATING -2 PAINTING -3 MARKING -R REWORK	THE CONTENTS OF THIS DOCUMENT ARE PROPRIETARY TO NAVITAR, ITS USE IS AUTHORIZED ONLY FOR RESPONDING TO REQUEST FOR QUOTATION OR PERFORMANCE OF WORK FOR NAVITAR	 ROCHESTER, NEW YORK	
	TOLERANCES AS FOLLOWS DEC. .XXX ± .005 DEC. .XX ± .010 FRACT. ± 1/64 ANGLES ± 30' CONCENTRICITY .003 TIR BREAK ALL SHARP EDGES .005 MIN. .010 MAX. MAX. SURF. ROUGHNESS: $\sqrt{32}$	SCALE: 1:1 DR: R. PODLENA CH: P. BONAFEDE APP: P. BONAFEDE DATE DR: 7/2/2002 DO NOT SCALE DRAWING	0.0 inch 1.0  0.0 mm 25.0  		
FINISH:					
CHAMFER ALL THREADS 30° TO ROOT DIAMETER					