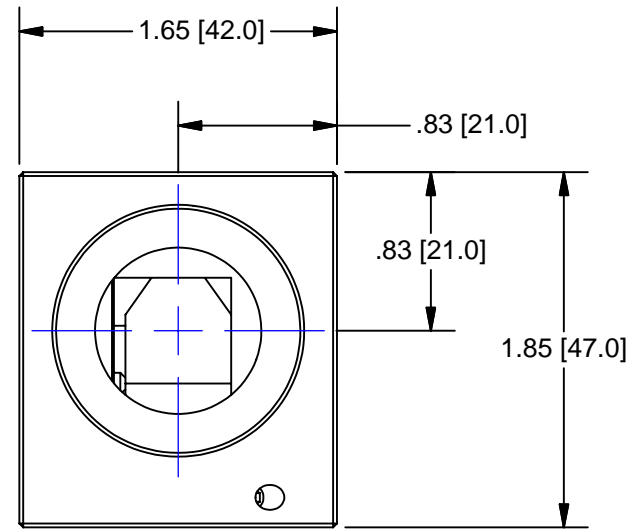


945 East 11th Avenue Tampa, FL 33605

Phone: (813) 984-0125

Contact: Sales@pyramidimaging.com

<https://pyramidimaging.com>



OUTLINE

UNLESS OTHERWISE SPECIFIED DIMENSIONS ARE IN INCHES [MM] AND INCLUDE CHEMICALLY APPLIED OR PLATED FINISHES		PROPRIETARY AND CONFIDENTIAL			
SCALE: 1:1		THE INFORMATION CONTAINED IN THIS DRAWING IS THE SOLE PROPERTY OF NAVITAR. ANY REPRODUCTION IN PART OR AS A WHOLE WITHOUT THE WRITTEN PERMISSION OF NAVITAR IS PROHIBITED.			
WEIGHT: N/A				NON-INVERTING RIGHT ANGLE ATTACHMENT w/ROOF PRISM	
DR BY: R. PODLENA					
CH BY:		DO NOT SCALE DRAWING			
PROJECT #:				A	REV
DATE DR: 4/16/2002					D