

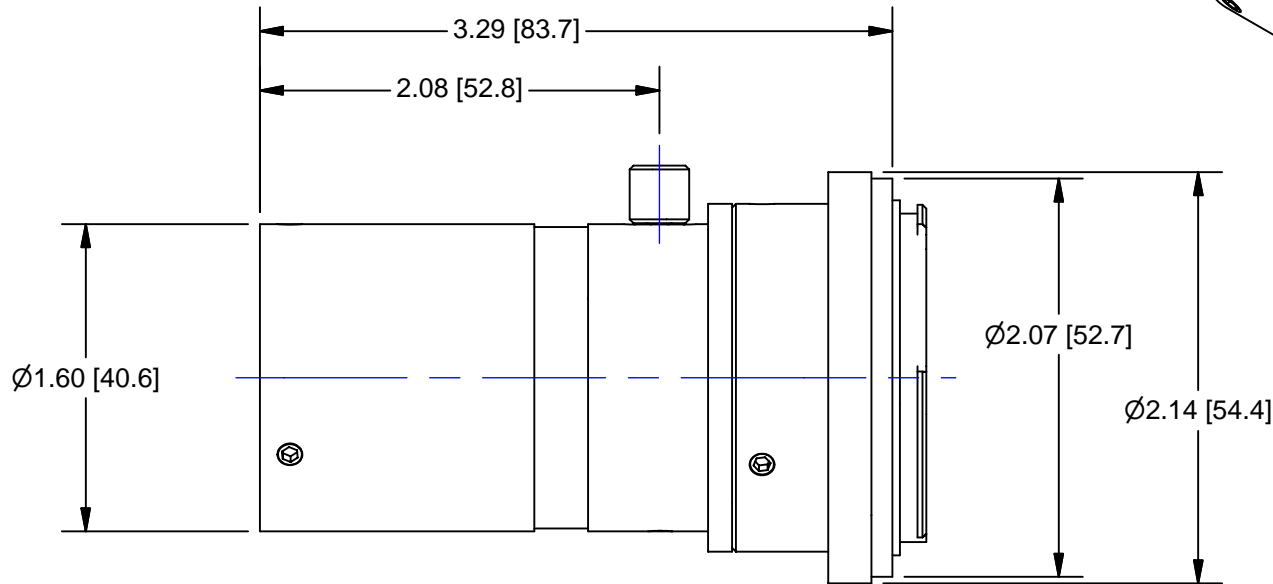
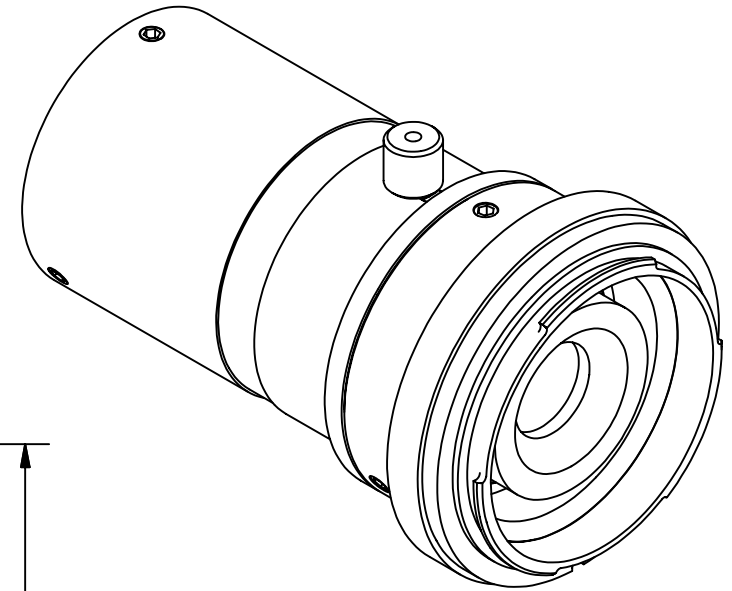


945 East 11th Avenue Tampa, FL 33605

Phone: (813) 984-0125

Contact: Sales@ pyramidimaging.com

<https://pyramidimaging.com>



OUTLINE

UNLESS OTHERWISE SPECIFIED DIMENSIONS ARE IN INCHES AND INCLUDE CHEMICALLY APPLIED OR PLATED FINISHES		THE CONTENTS OF THIS DOCUMENT ARE PROPRIETARY TO NAVITAR. ITS USE IS AUTHORIZED ONLY FOR RESPONDING TO REQUEST FOR QUOTATION OR PERFORMANCE OF WORK FOR NAVITAR		 ROCHESTER, NEW YORK			
SCALE:	1:1	0.0 inch 1.0 0.0 mm 25.0 		ADAPTER, RA, 2X F-MOUNT			
WEIGHT:	.29lbm			SIZE	1-63218	REV	B
DR:	PODLENA			A	SHEET 1 OF 1		
CH:	DJM						
PROJECT #:	E2088	DO NOT SCALE DRAWING					
DATE DR:	1/4/2006						