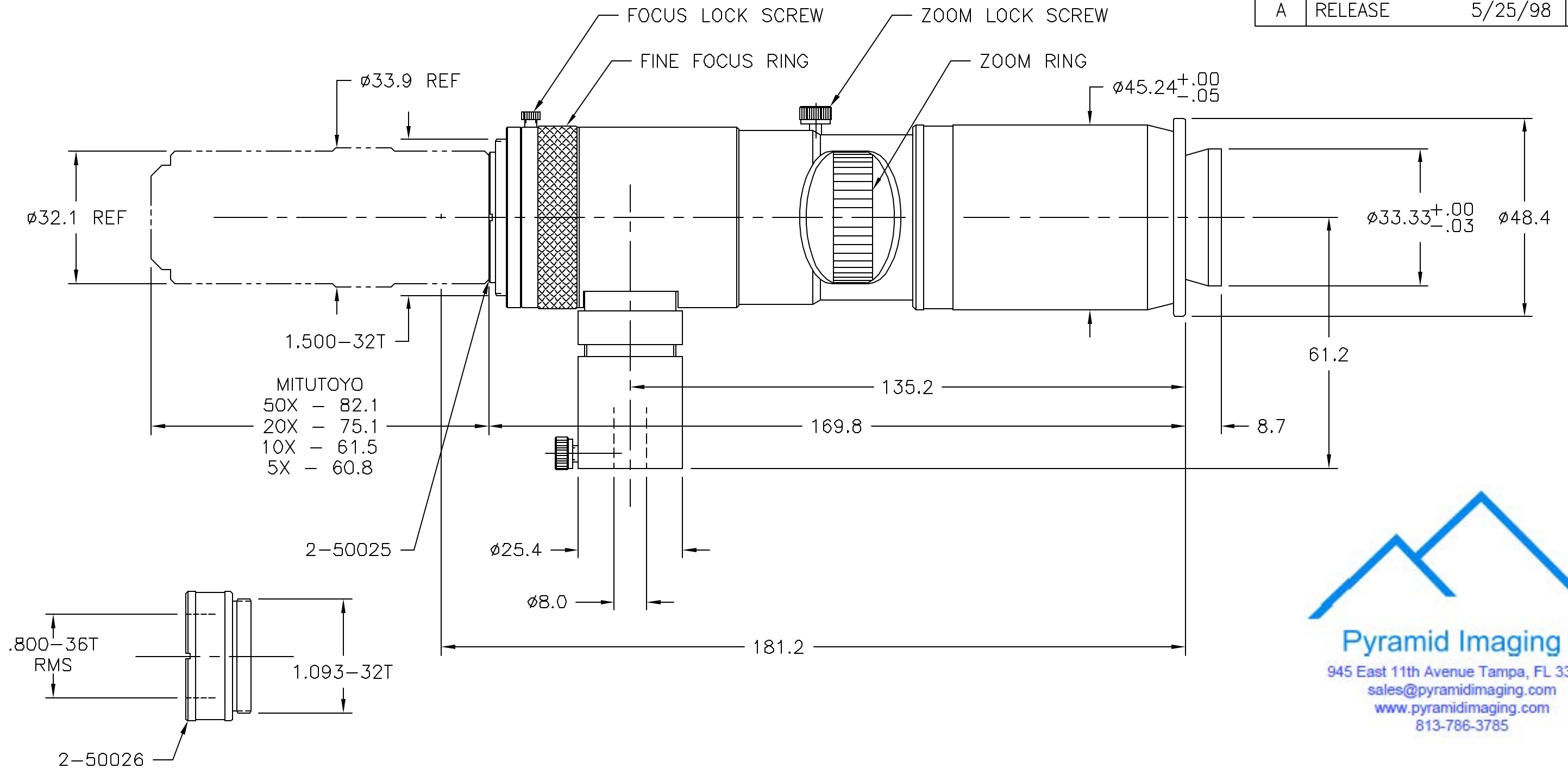


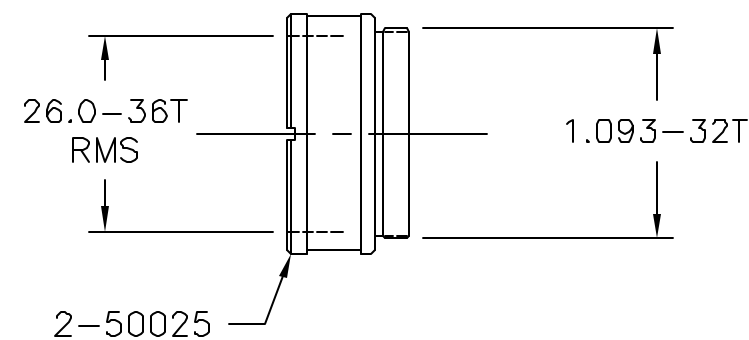
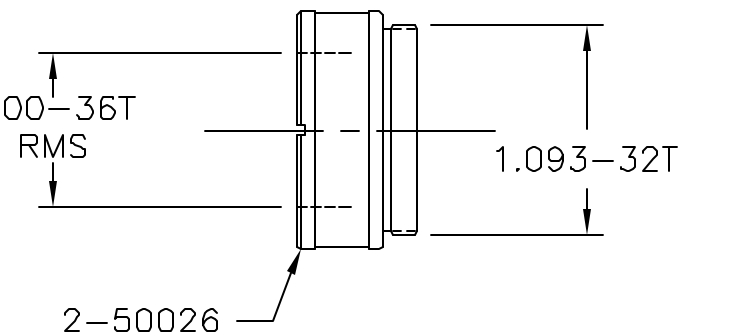
REV	CHANGE RECORD AND DATE	CH
A	RELEASE 5/25/98	SSC



**Pyramid Imaging**

945 East 11th Avenue Tampa, FL 33605  
 sales@pyramidimaging.com  
 www.pyramidimaging.com  
 813-786-3785

1-50503 OL



NEXT ASSY.

USED ON

MATERIAL	UNLESS OTHERWISE SPECIFIED DIMENSIONS ARE IN MM AND INCLUDE CHEMICALLY APPLIED OR PLATED FINISHES		P/N Suffix Definition -1 Conversion Coating -2 Painting -3 Marking -R Rework					
	TOLERANCES AS FOLLOWS DEC. .XX ±.10 DEC. .X ±.20 ANGLES ±30' CONCENTRICITY .08 TIR BREAK ALL SHARP EDGES .15 MIN. .25 MAX. MAX. SURF. ROUGHNESS √.80							SCALE 1:1
FINISH	CHAMFER ALL THREADS 30° TO ROOT DIAM.		DR. SSC	12X ULTRAZOOM W/3mm F.F. & COAX OUTLINE		SIZE B	1-50503 OL SHT. 1 OF 1	REV A
			CH. PB					
			APP. -					
			DATE DR. 9/25/98					
			DO NOT SCALE DRAWING					

**NAVITAR**  
 ROCHESTER, NEW YORK