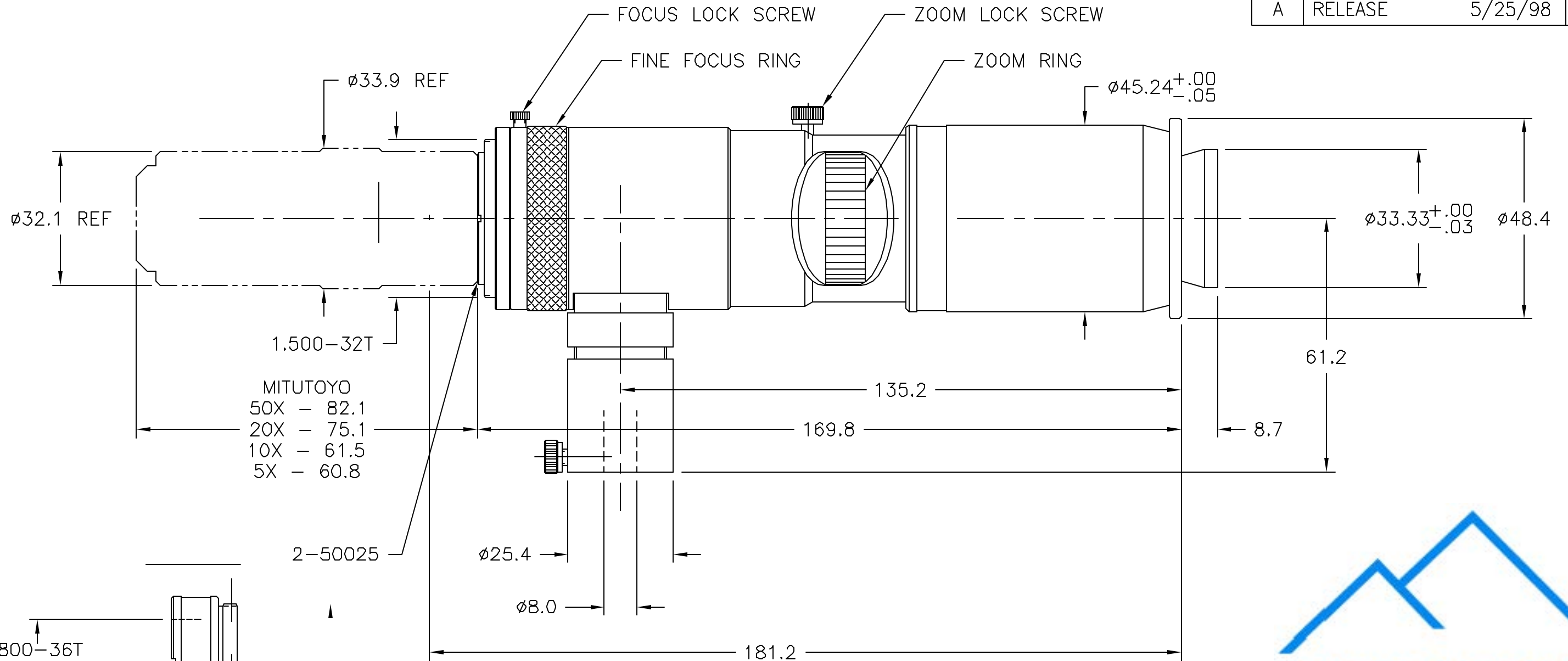
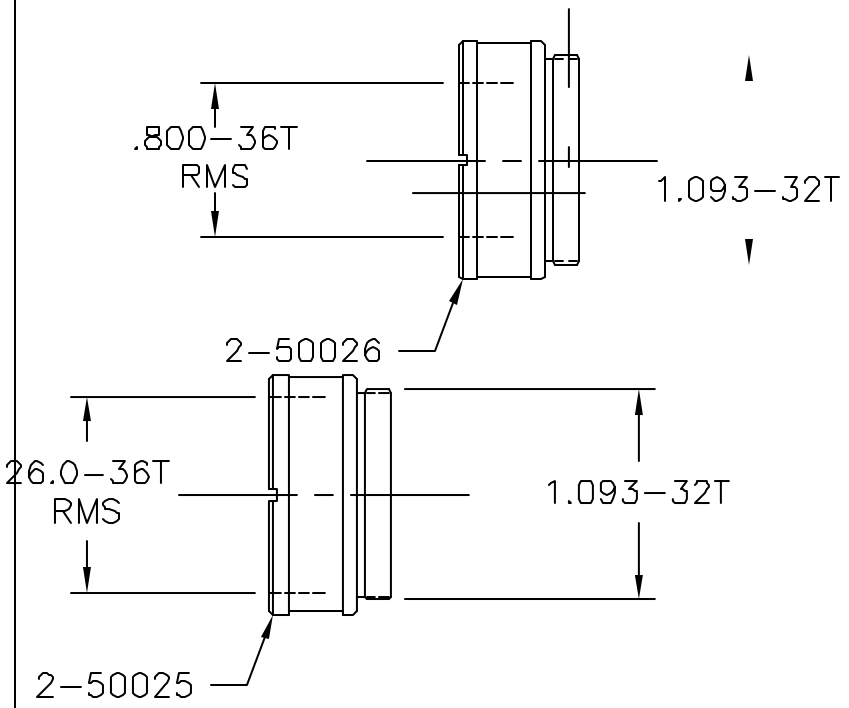


REV	CHANGE RECORD AND DATE	CH
A	RELEASE 5/25/98	SSC



Pyramid Imaging

945 East 11th Avenue Tampa, FL 33605
 sales@pyramidimaging.com
 www.pyramidimaging.com
 813-786-3785



NEXT ASSY.

USED ON

MATERIAL	UNLESS OTHERWISE SPECIFIED DIMENSIONS ARE IN MM AND INCLUDE CHEMICALLY APPLIED OR PLATED FINISHES		P/N Suffix Definition -1 Conversion Coating -2 Painting -3 Marking -R Rework	NAVITAR ROCHESTER, NEW YORK
	TOLERANCES AS FOLLOWS DEC. .XX ±.10 DEC. .X ±.20 ANGLES ±30' CONCENTRICITY .08 TIR BREAK ALL SHARP EDGES .15 MIN. .25 MAX. MAX. SURF. ROUGHNESS √.80			
FINISH	CHAMFER ALL THREADS 30° TO ROOT DIAM.		0.0 inch 1.0 0.0 mm 25.0 	12X ULTRAZOOM W/3mm F.F. & COAX OUTLINE
	SIZE B	1-50503 OL	SHT. 1 OF 1	REV A