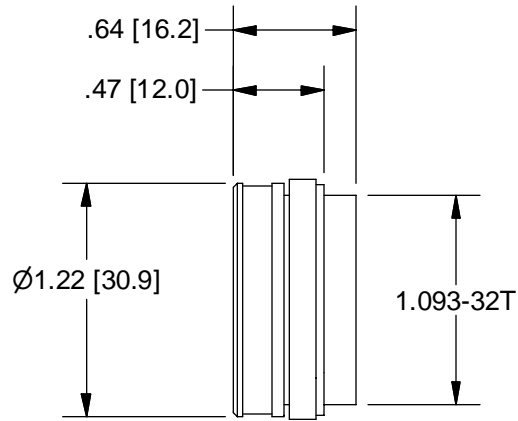



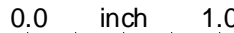
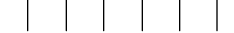
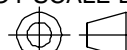


# Pyramid Imaging

945 East 11th Avenue Tampa, FL 33605  
 sales@pyramidimaging.com  
 www.pyramidimaging.com  
 813-786-3785



## OUTLINE

|   |           |   |  |  |              |
|---|-----------|---|--|--|--------------|
| UNLESS OTHERWISE SPECIFIED DIMENSIONS ARE IN INCHES AND INCLUDE CHEMICALLY APPLIED OR PLATED FINISHES |           | THE CONTENTS OF THIS DOCUMENT ARE PROPRIETARY TO NAVITAR, ITS USE IS AUTHORIZED ONLY FOR RESPONDING TO REQUEST FOR QUOTATION OR PERFORMANCE OF WORK FOR NAVITAR   |  | <br>ROCHESTER, NEW YORK |              |
| SCALE:  | 1:1       | 0.0    inch    1.0<br><br>0.0    mm    25.0<br> |  | 0.25X LENS ATTACHMENT  |              |
| WEIGHT:   | .04LBM    |   |  |  |              |
| DR:   | DJM       | DO NOT SCALE DRAWING  |  | SIZE<br><b>A</b>   | 1-50011      |
| CH:   | PB        |   |  |  |              |
| PROJECT #:  |           |    |  | REV<br><b>C</b>  | SHEET 2 OF 2 |
| DATE DR:  | 6/19/2003 |   |  |  |              |