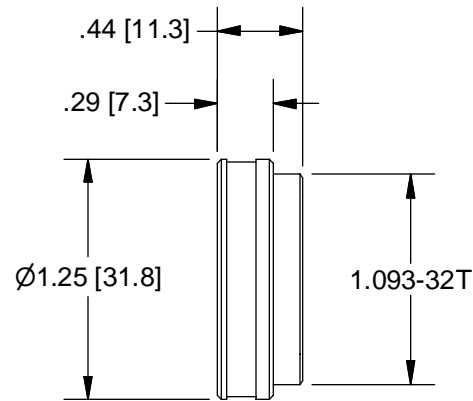



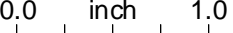
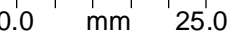
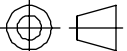


# Pyramid Imaging

945 East 11th Avenue Tampa, FL 33605  
 sales@pyramidimaging.com  
 www.pyramidimaging.com  
 813-786-3785



## OUTLINE

UNLESS OTHERWISE SPECIFIED DIMENSIONS ARE IN INCHES AND INCLUDE CHEMICALLY APPLIED OR PLATED FINISHES		THE CONTENTS OF THIS DOCUMENT ARE PROPRIETARY TO NAVITAR, ITS USE IS AUTHORIZED ONLY FOR RESPONDING TO REQUEST FOR QUOTATION OR PERFORMANCE OF WORK FOR NAVITAR		 ROCHESTER, NEW YORK	
SCALE:	1:1	0.0    inch    1.0  0.0    mm    25.0 		0.5X LENS ATTACHMENT	
WEIGHT:					
DR:	BE	DO NOT SCALE DRAWING		SIZE <b>A</b>	<b>1-50012</b> SHEET 2 OF 2
CH:					
PROJECT #:				REV <b>B</b>	
DATE DR:	10/28/2002				